

F-104A STARFIGHTER EARLY ZIPPERS CONVERSION SET



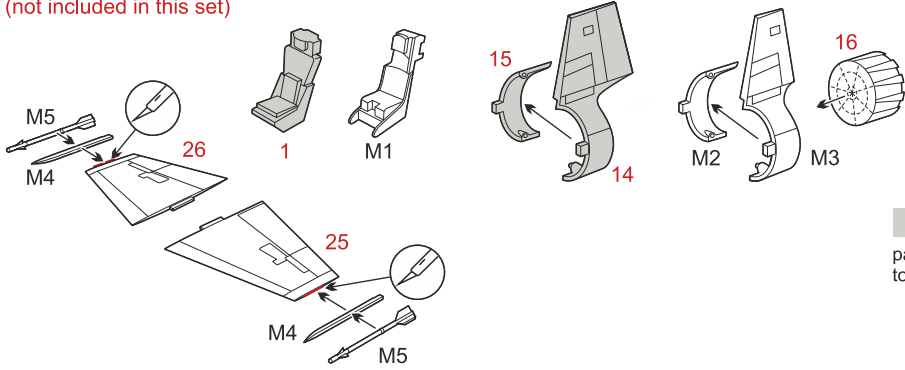
MKA14435
1/144 scale

MARK I plastic parts



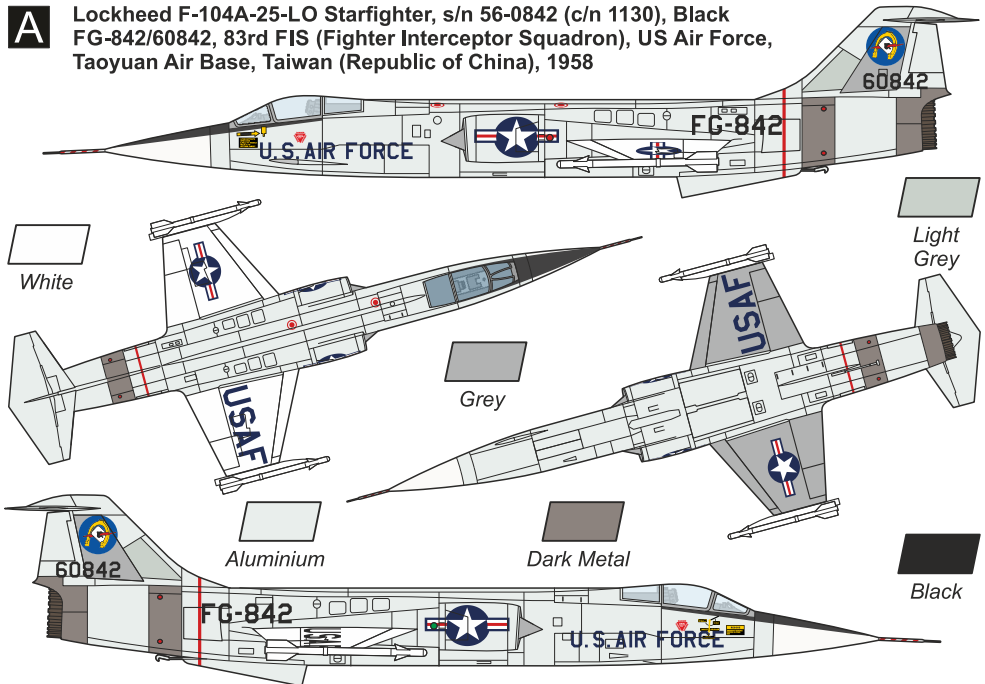
MARK I Ltd.
PO Box 10
Prague 10 - Strašnice
CZ-100 31
Czech Republic
mark1@cmail.cz
www.4pluspublications.com

Revell plastic parts
(not included in this set)



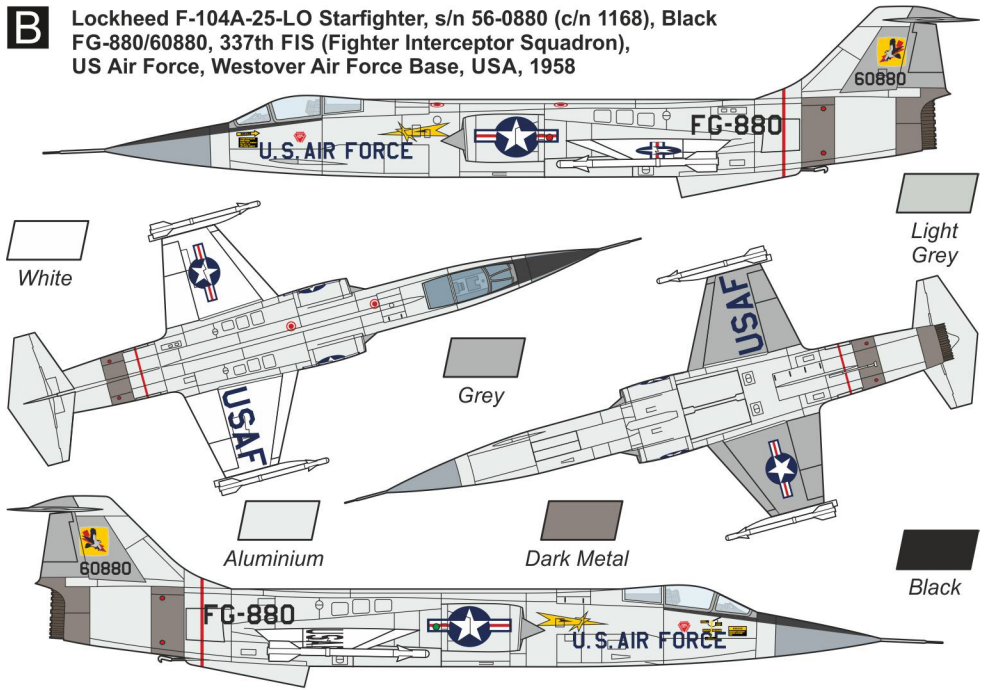
parts not
to be used

A Lockheed F-104A-25-LO Starfighter, s/n 56-0842 (c/n 1130), Black
FG-842/60842, 83rd FIS (Fighter Interceptor Squadron), US Air Force,
Taoyuan Air Base, Taiwan (Republic of China), 1958



B

Lockheed F-104A-25-LO Starfighter, s/n 56-0880 (c/n 1168), Black
 FG-880/60880, 337th FIS (Fighter Interceptor Squadron),
 US Air Force, Westover Air Force Base, USA, 1958

**C**

Lockheed F-104A-25-LO Starfighter, s/n 56-0808 (c/n 1096), Black 910 (91.),
 No.9 Sq., Royal Jordanian Air Force (Al-Quwwat al-Jawwiya al-Malakiya
 al-Urdunliya), Prince Hassan Air Base (H5), Jordan, 1969-77

