

# F-104G/J STARFIGHTER

## BELLY-MOUNTED SIDEWINDERS

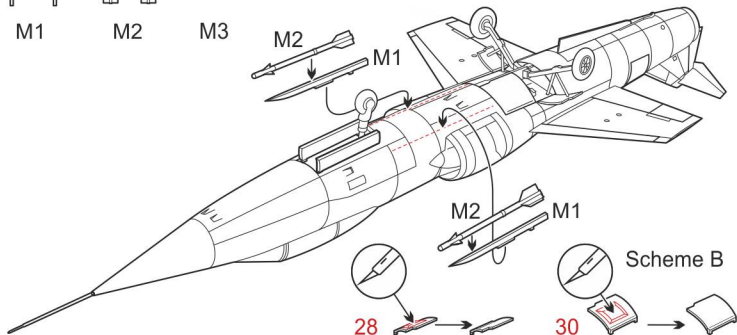
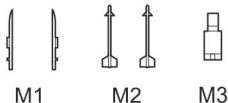
### CONVERSION SET

MKA14436  
1/144 scale



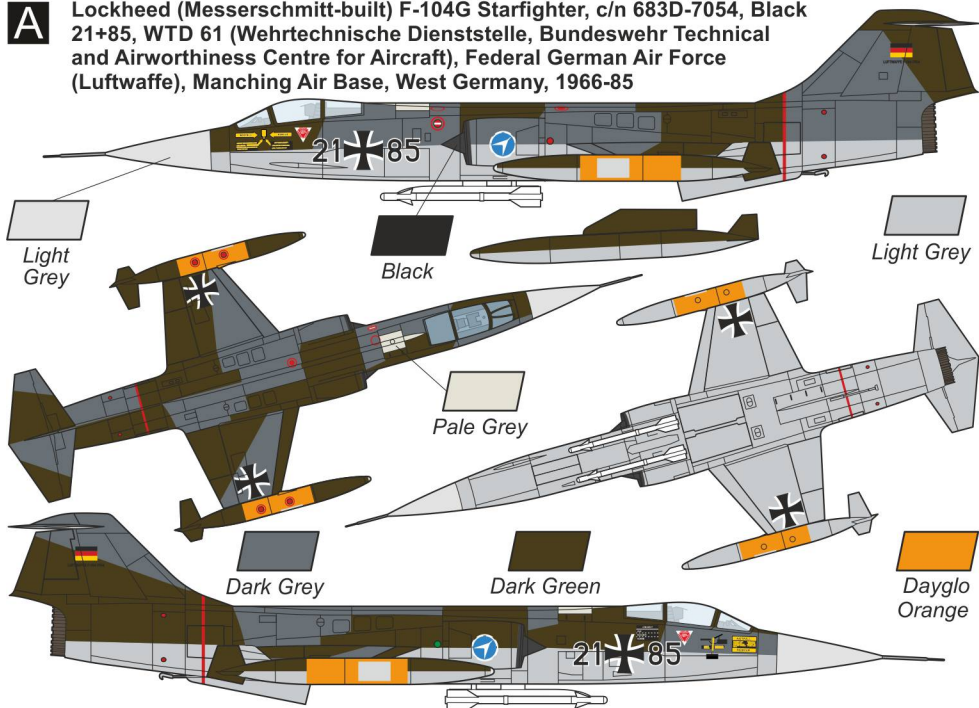
MARK I Ltd.  
PO Box 10  
Prague 10 - Strašnice  
CZ-100 31  
Czech Republic  
mark1@gmail.cz  
www.4pluspublications.com

MARK I plastic parts

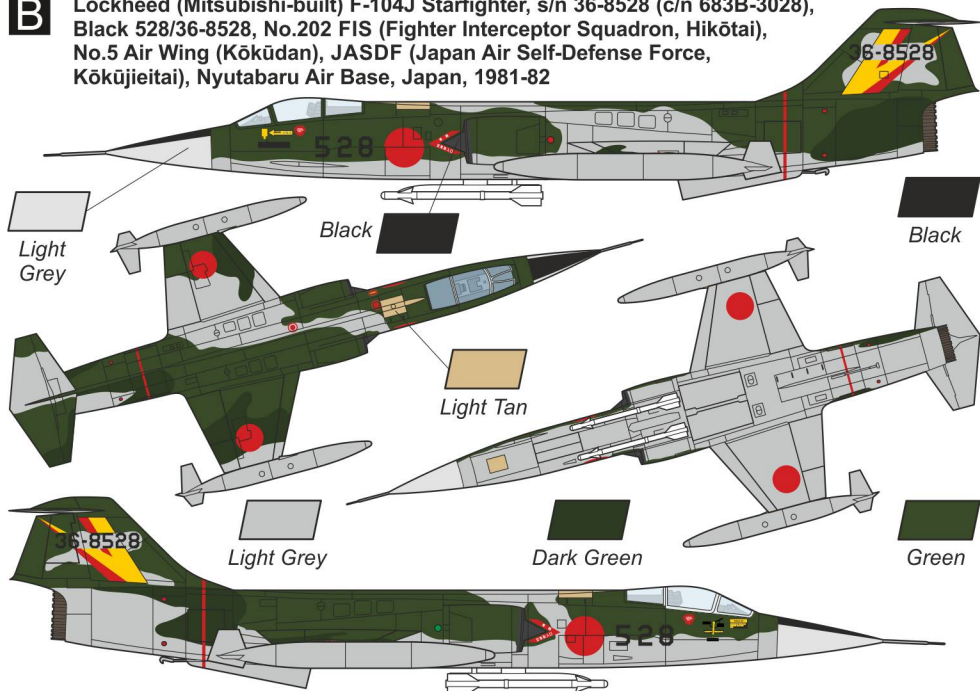


Revell plastic parts  
(not included in this set)

**A** Lockheed (Messerschmitt-built) F-104G Starfighter, c/n 683D-7054, Black 21+85, WTD 61 (Wehrtechnische Dienststelle, Bundeswehr Technical and Airworthiness Centre for Aircraft), Federal German Air Force (Luftwaffe), Manching Air Base, West Germany, 1966-85



**B** Lockheed (Mitsubishi-built) F-104J Starfighter, s/n 36-8528 (c/n 683B-3028), Black 528/36-8528, No.202 FIS (Fighter Interceptor Squadron, Hikōtai), No.5 Air Wing (Kōkūdan), JASDF (Japan Air Self-Defense Force, Kōkūjietai), Nyutabaru Air Base, Japan, 1981-82



**C** Lockheed (Canadair-built) F-104G Starfighter, s/n 63-13647 (c/n 683D-6096), Black R-647, Eskadrille 726 (Squadron), Royal Danish Air Force (Kongelige Danske Flyvevåbnet, KDF), Ålborg Air Base, Denmark, 1965-69

