

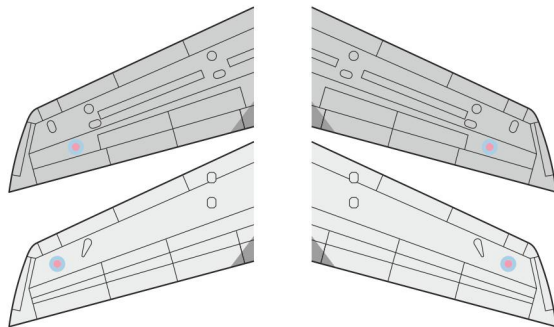
Tornado F.2/F.3 in RAF

1:144 © MARK I Ltd.

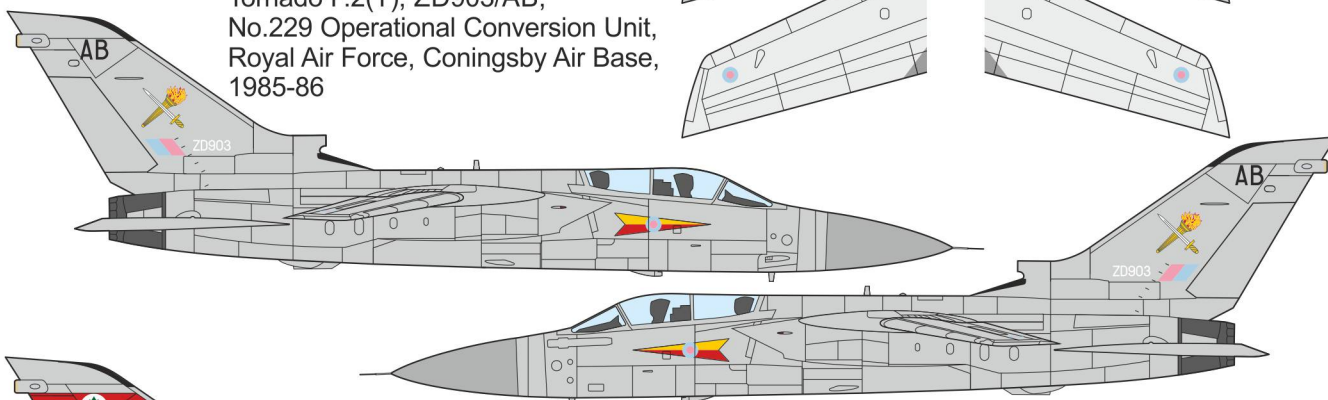
www.4pluspublications.com



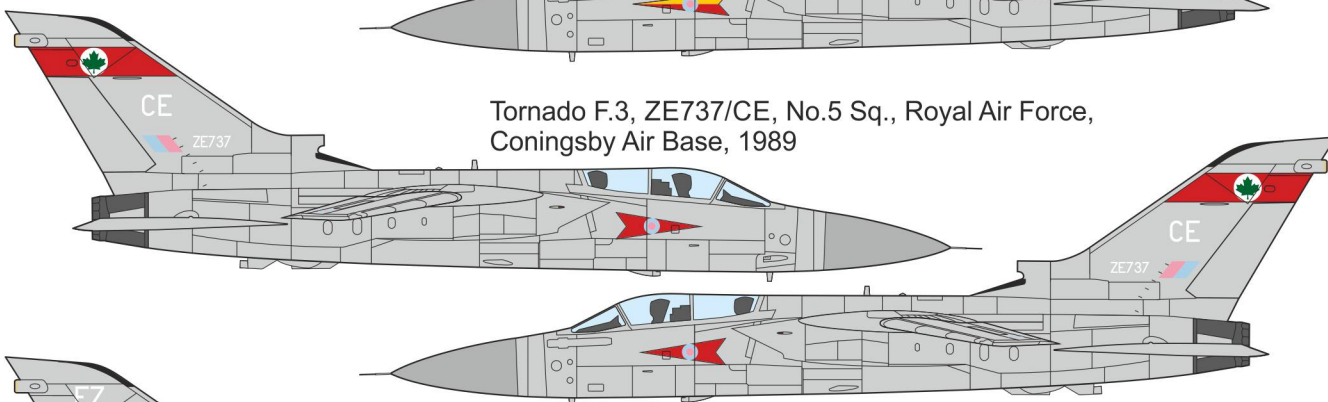
DMF14437



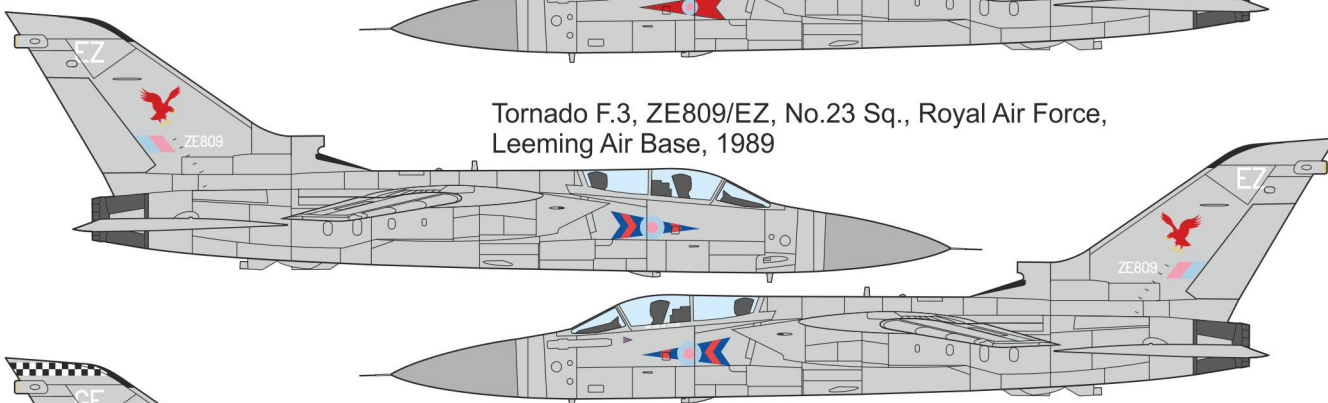
Tornado F.2(T), ZD903/AB,
No.229 Operational Conversion Unit,
Royal Air Force, Coningsby Air Base,
1985-86



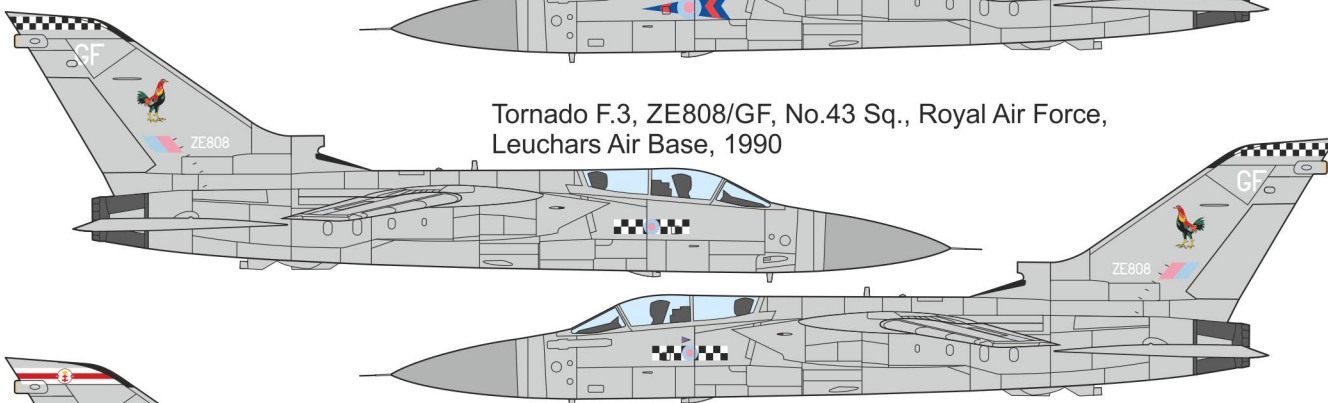
Tornado F.3, ZE737/CE, No.5 Sq., Royal Air Force,
Coningsby Air Base, 1989



Tornado F.3, ZE809/EZ, No.23 Sq., Royal Air Force,
Leeming Air Base, 1989



Tornado F.3, ZE808/GF, No.43 Sq., Royal Air Force,
Leuchars Air Base, 1990



Tornado F.3, ZG731, No.41 Fast Jet and Weapons Operational
Evaluation Unit, Royal Air Force, Coningsby Air Base, 2008

