

MESSERSCHMITT BF 109G-10

LATE GUSTAV



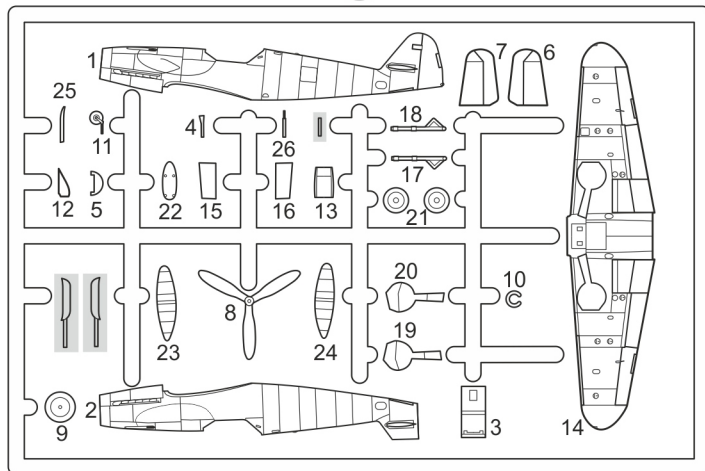
MKM14472N

1/144 scale

plastic parts

2x

MARK I Ltd.
 PO Box 10
 Prague 10 - Strašnice
 CZ-100 31
 Czech Republic
 mark1@gmail.cz
 www.4pluspublications.com

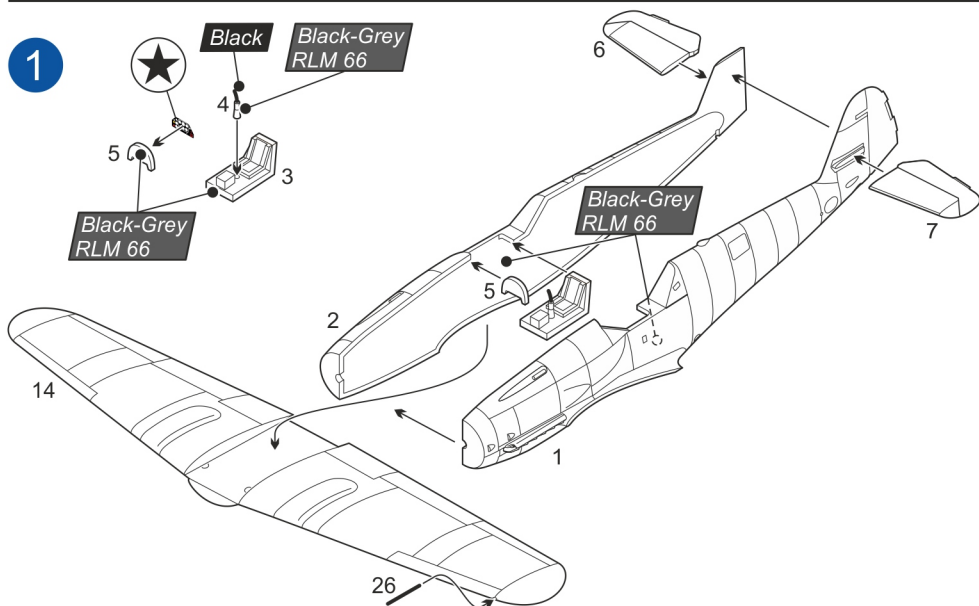


clear part

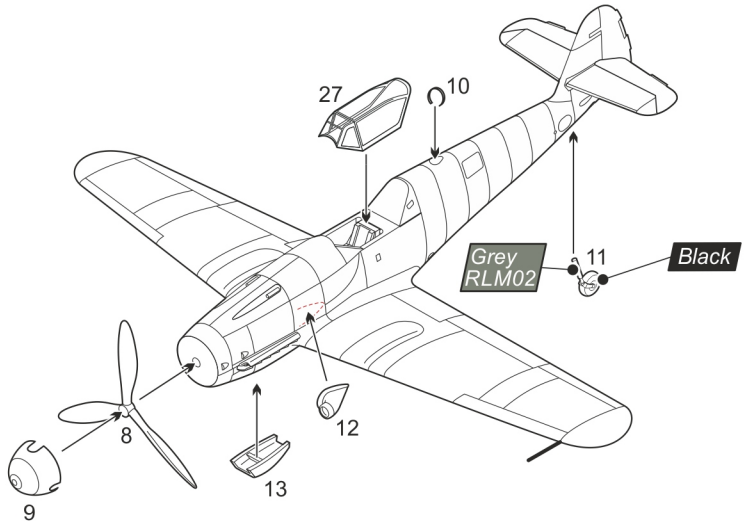
2x 27

parts not to be used

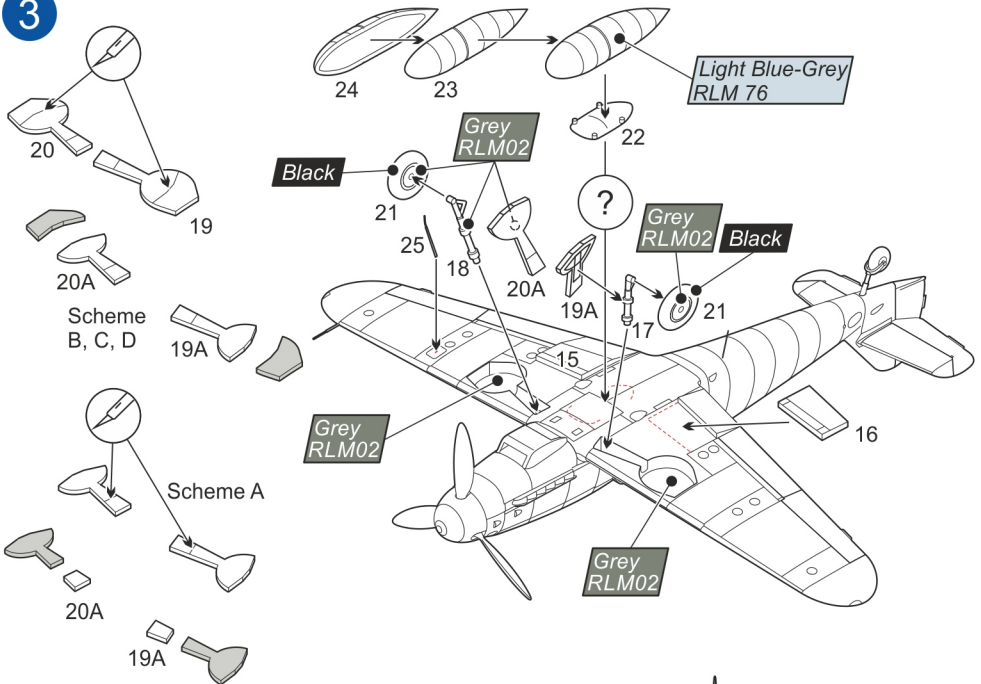
- 2x Repeat this operation
- Glue
- Don't glue
- Decal
- Detach/cut
- ? Optional



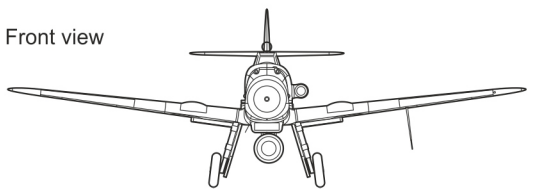
2



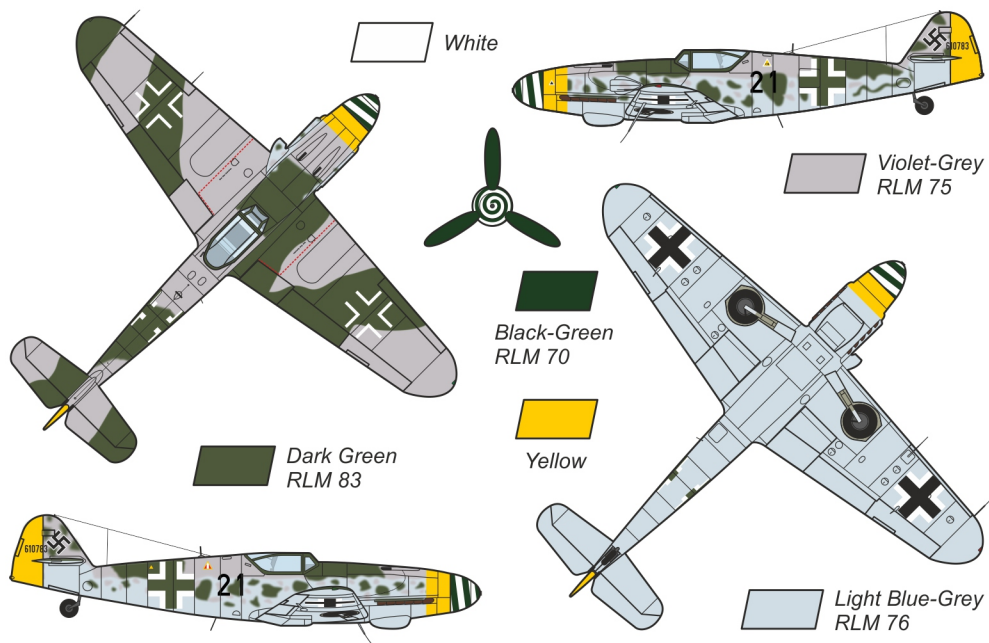
3



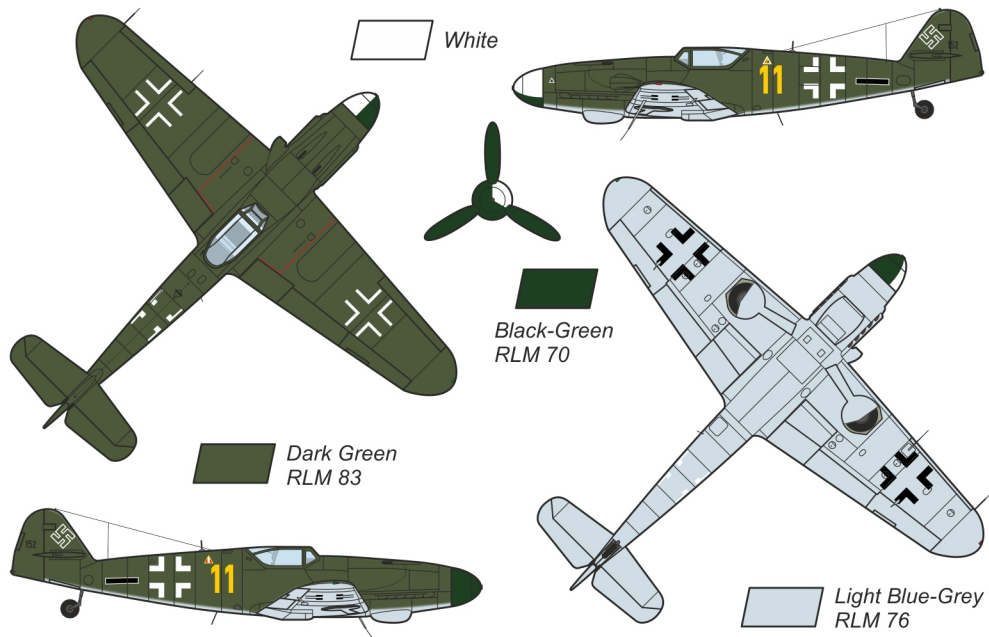
Front view



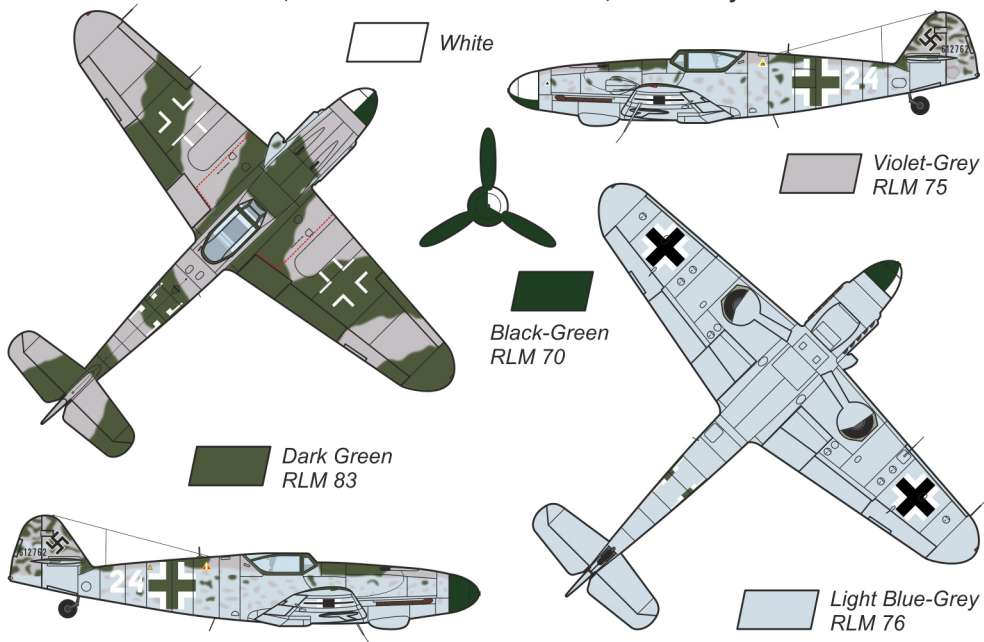
A Messerschmitt Bf 109G-10/U4 (WNF-built), Black 21 (W.Nr. 610783), 7./JG 52, Luftwaffe, Neubiberg airfield, Germany, May 1945



B Messerschmitt Bf 109G-10/R6 (Erla-built), Yellow 11 (W.Nr. 152xxx), JG 52, Luftwaffe, Deutsch Brod airfield, Bohemia-Moravia Protectorate, May 1945



C Messerschmitt Bf 109G-10/U4 (Diana-built), White 24 (W.Nr. 612762), Jasta 5 d. ROA (Russian Liberation Army) 'Oberst Kazakov', Fliegerregiment der Luftwaffe der ROA, Deutsch Brod airfield, Bohemia-Moravia Protectorate, March - May 1945



D Messerschmitt Bf 109G-10/U4 (Diana-built), Yellow 12 (W.Nr. 612769), 101. 'Puma' Vadászrezred (Fighter Regiment), Royal Hungarian Air Force (Magyar Királyi Honvéd Légierő), Veszprém airfield, spring 1945

