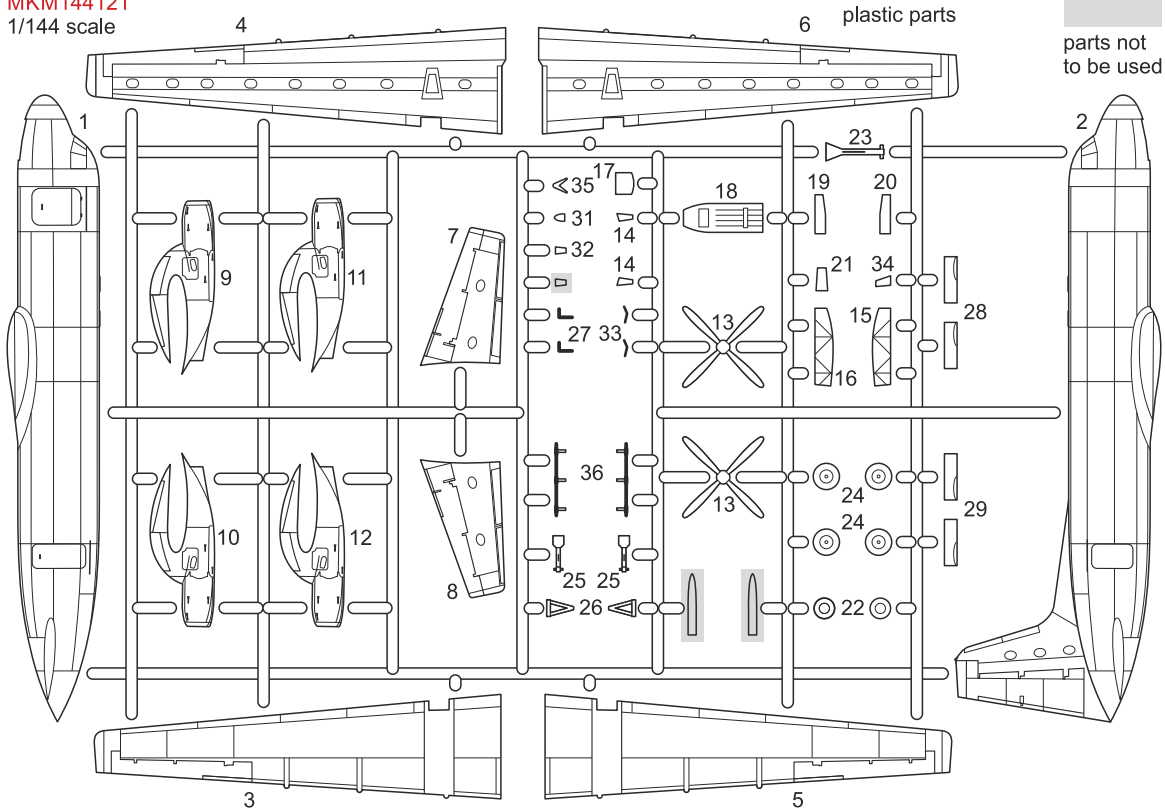


HS.748/ANDOVER CC.2/T.2

ASIAN AND AUSTRALIAN SERVICE

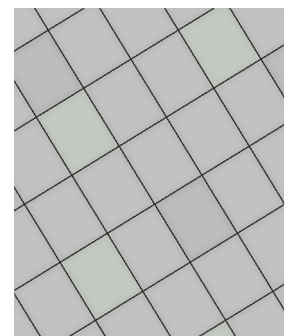


MKM144121
1/144 scale

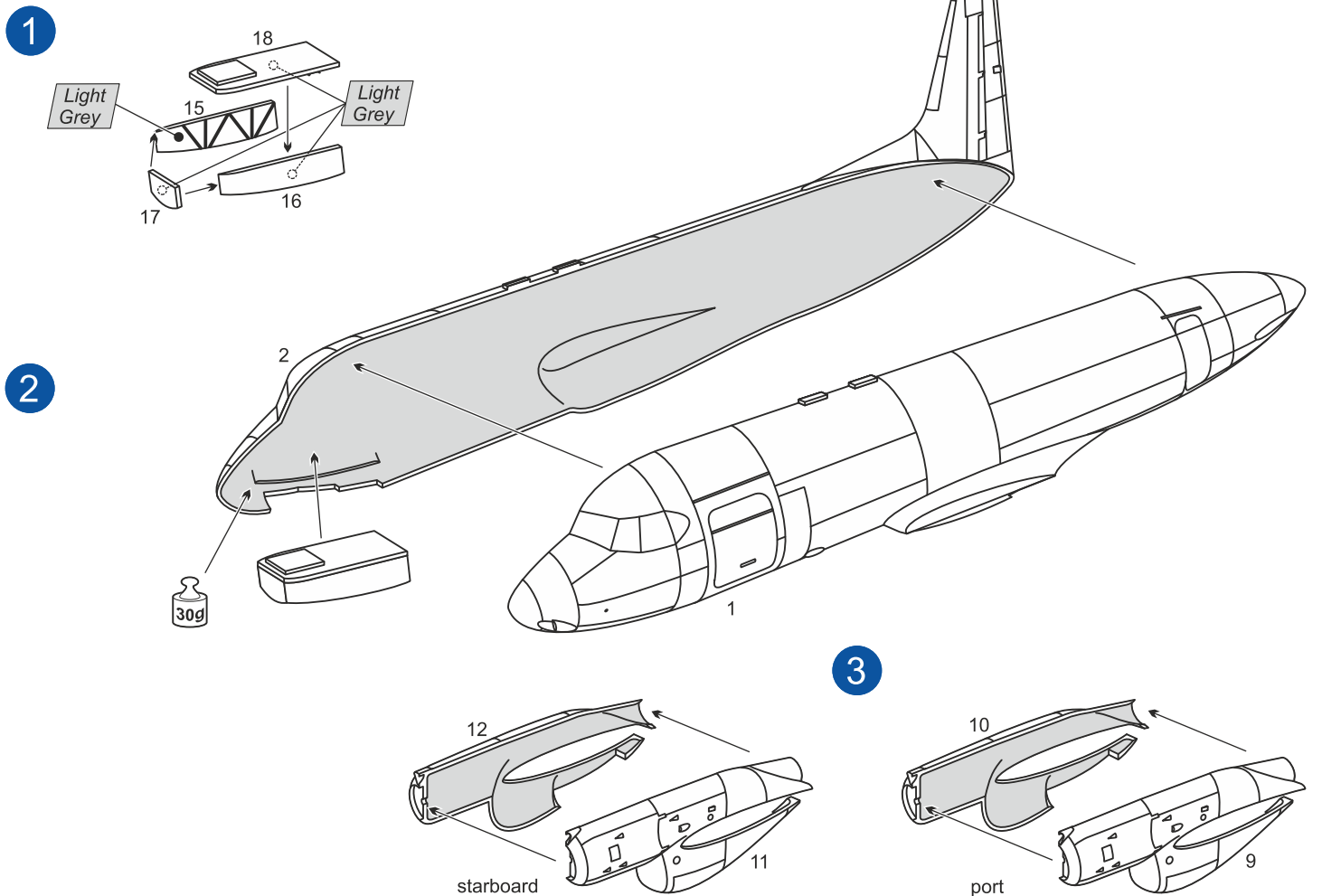


MARK I Ltd.
PO Box 10
Prague 10 - Strašnice
CZ-100 31
Czech Republic
mark1@gmail.cz
www.4pluspublications.com

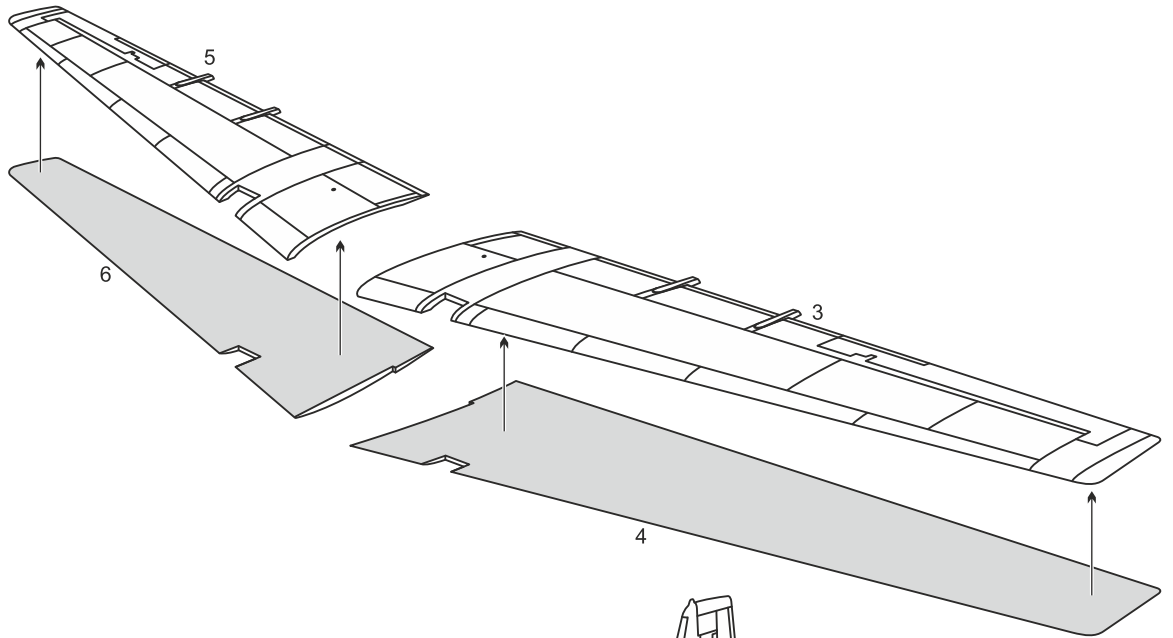
display base



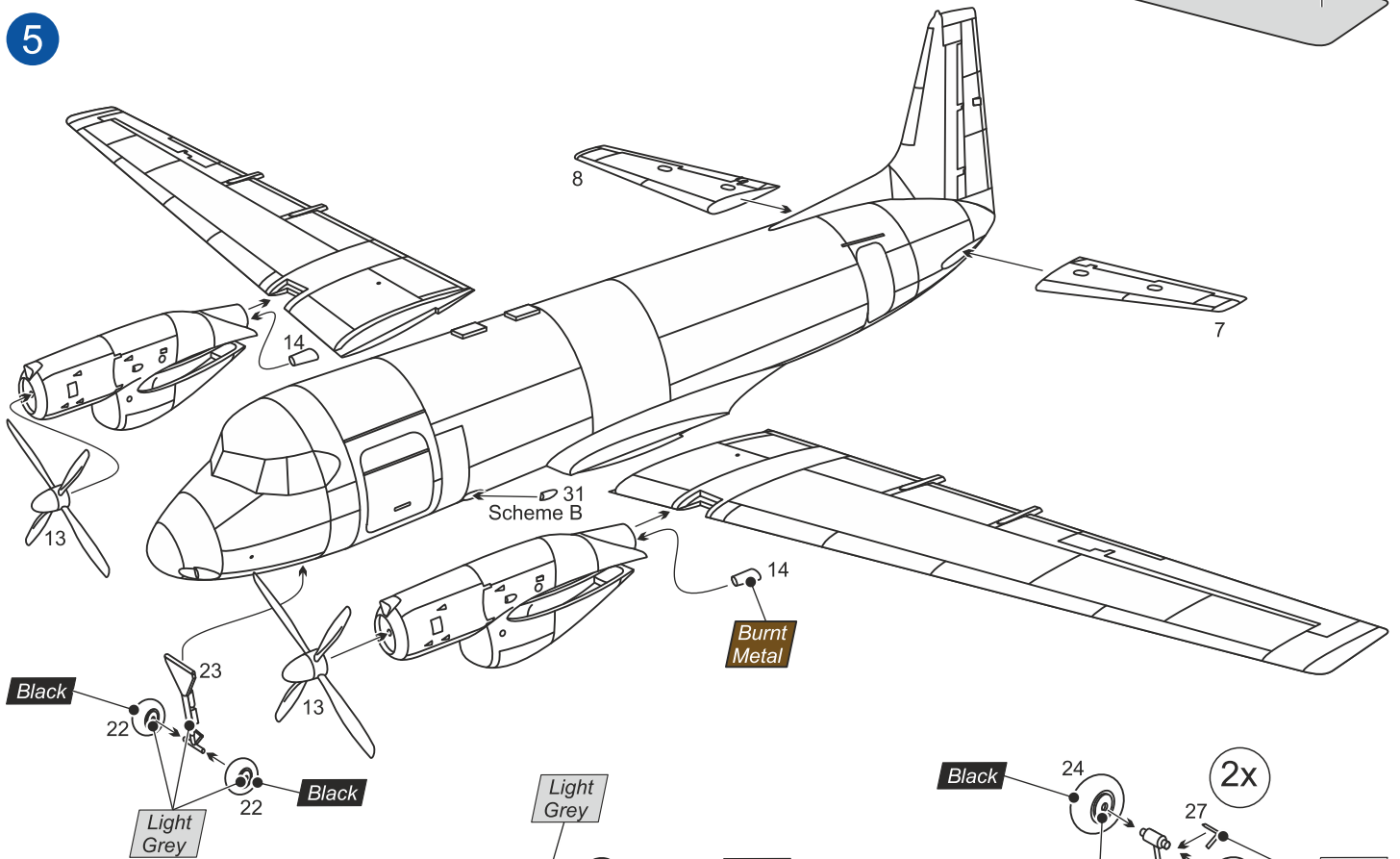
- Repeat this operation
- Glue
- Don't glue
- Decal
- Detach/cut
- Bend
- Drill
- Optional



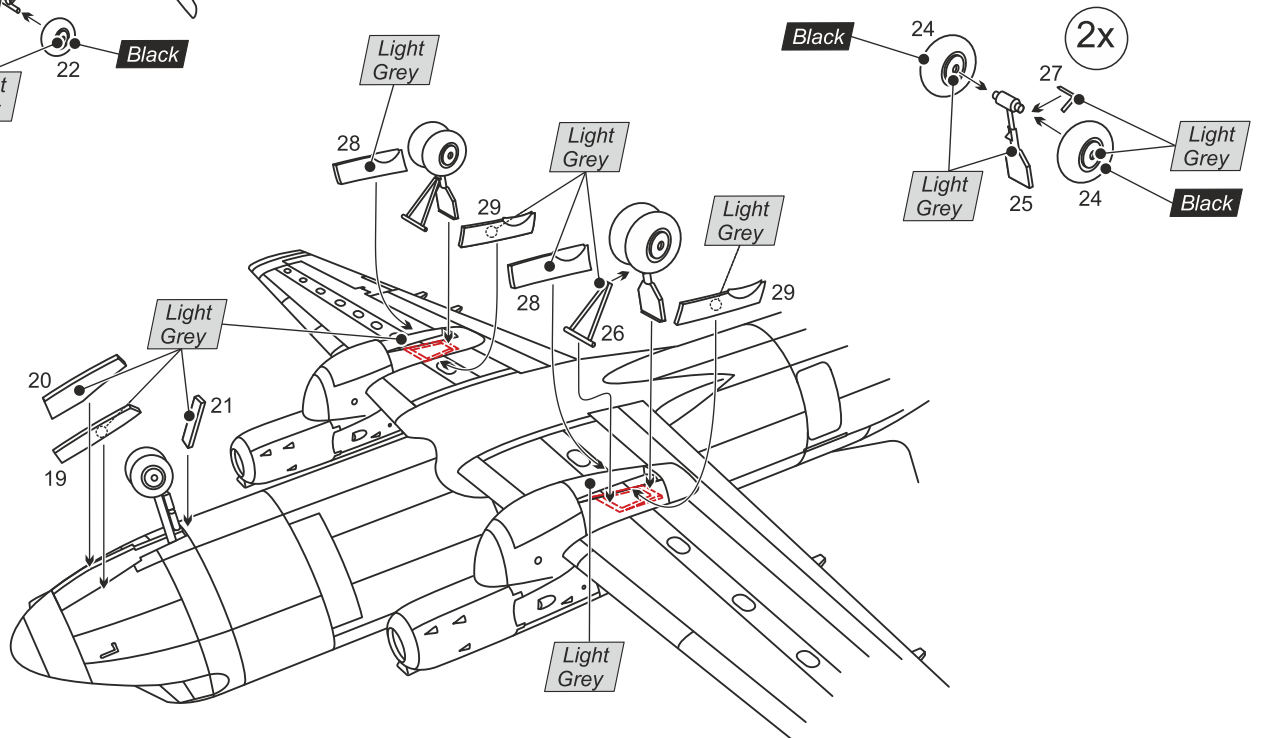
4

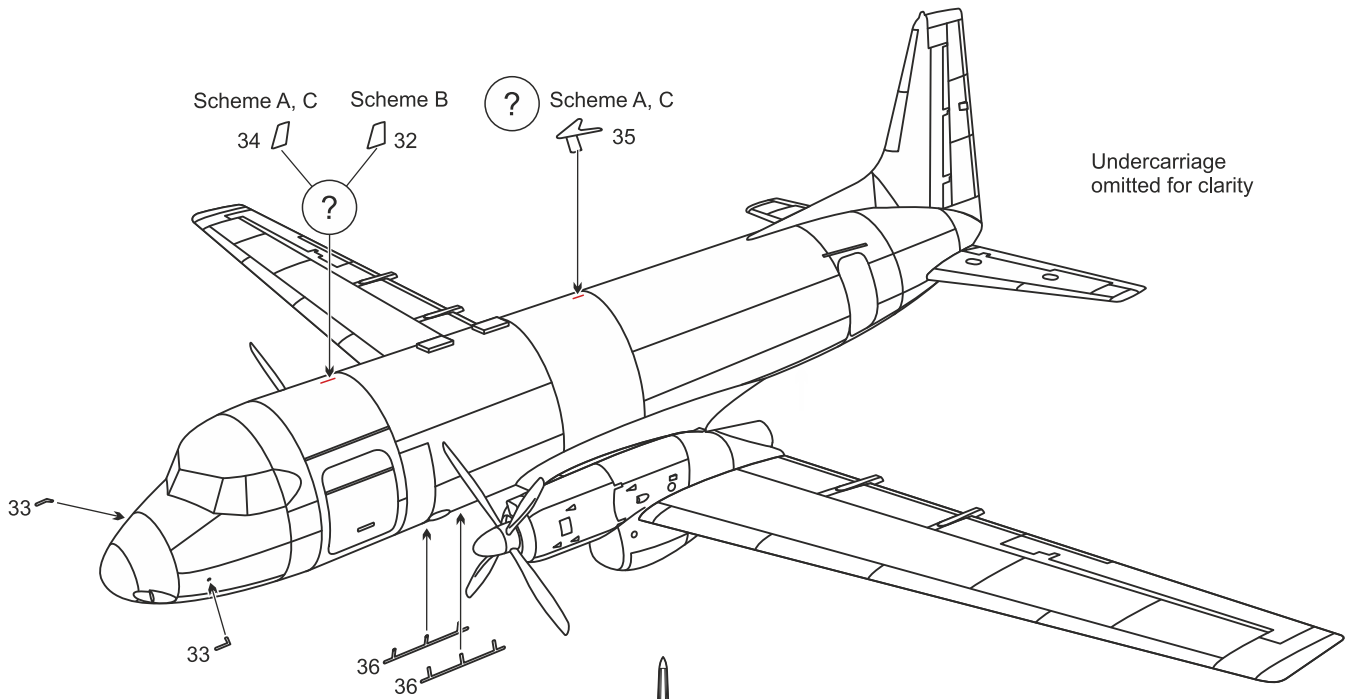


5

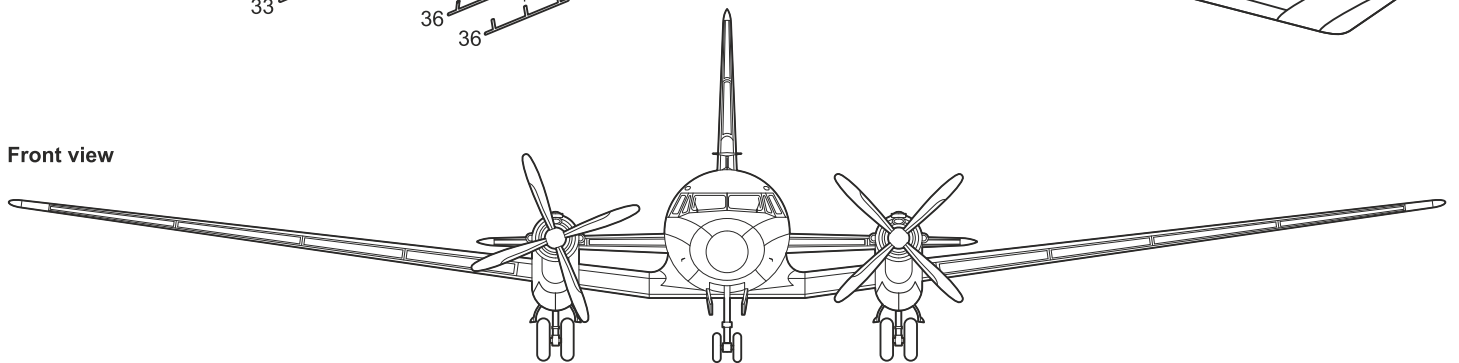


6

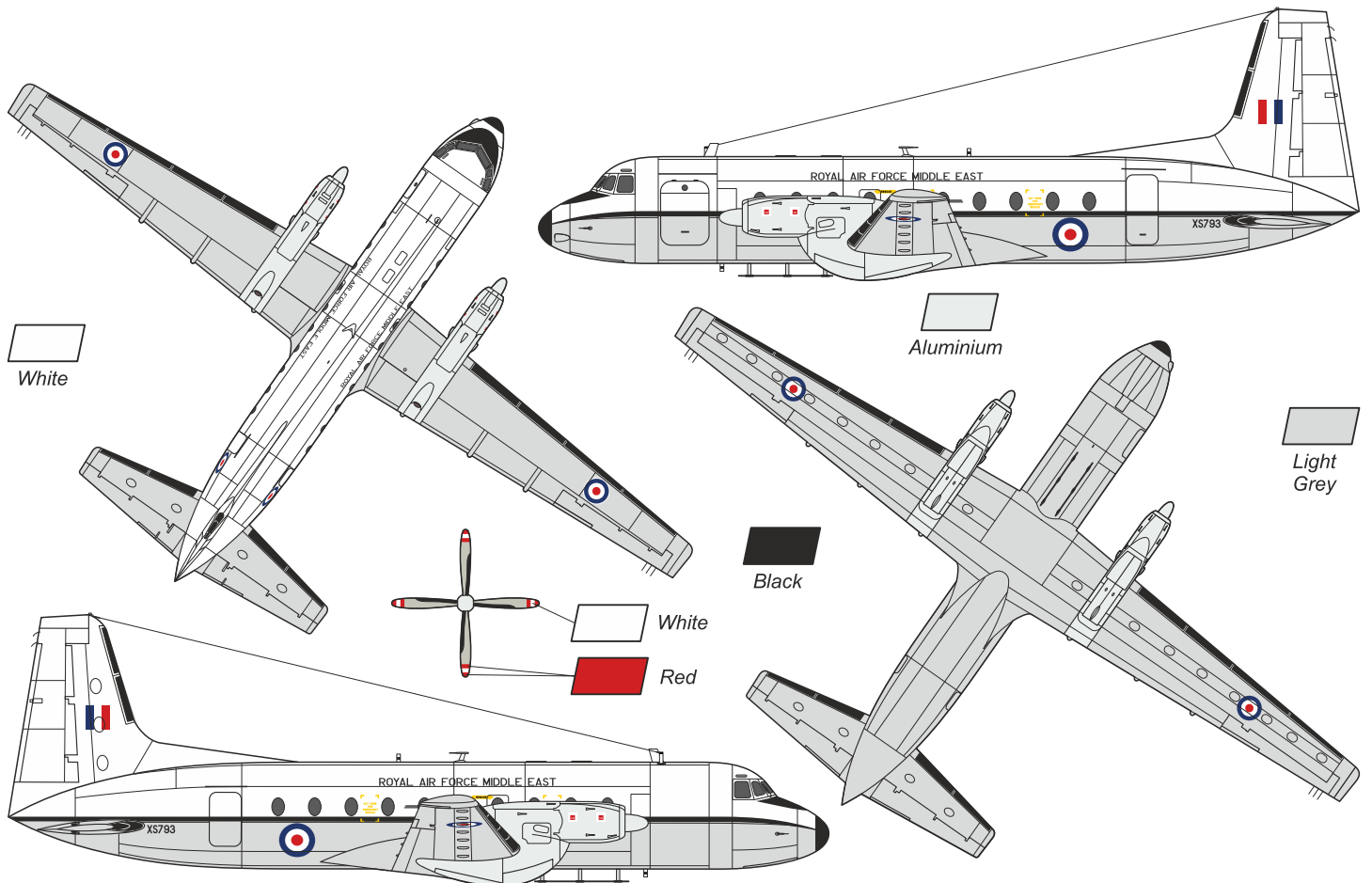




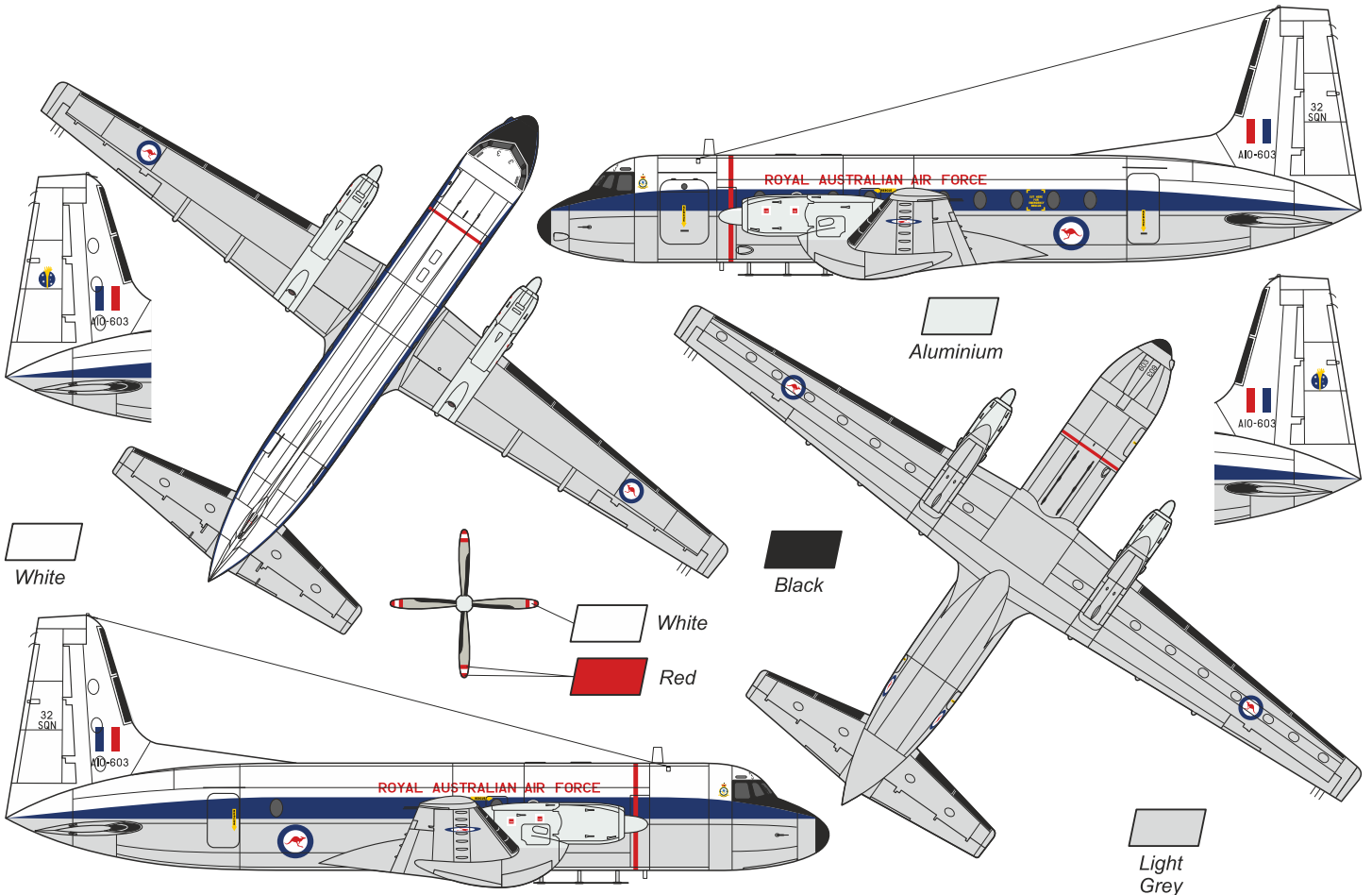
Front view



A Hawker Siddeley HS.748 (Srs.2 Model 206) Andover CC Mk.2, XS793 (c/n 1565), No.21 Sq., Royal Air Force Middle East, Khormaksar Air Base, Aden Protectorate, 1967



B Hawker Siddeley HS.748 (Srs.2 Model 228) T Mk.2, A10-603 (c/n 1603), School of Air Navigation/No.32 Sq., Royal Australian Air Force, East Sale Air Base, Victoria, Australia, 1987/1991



C Hawker Siddeley HS.748 (Srs.2 Model 207), 60303 (re-serialled from 60203, ex-Thai Airways Co. Ltd. HS-THC, c/n 1569), '50th Anniversary 1964-2014', No.603 Sq., No.6 Wing, Royal Thai Air Force (Kong Thap Akat Thai), Royal Thai Air Force Base Don Muang/Bangkok, Thailand, 2014

