

# Mikoyan-Gurevich MiG-19S

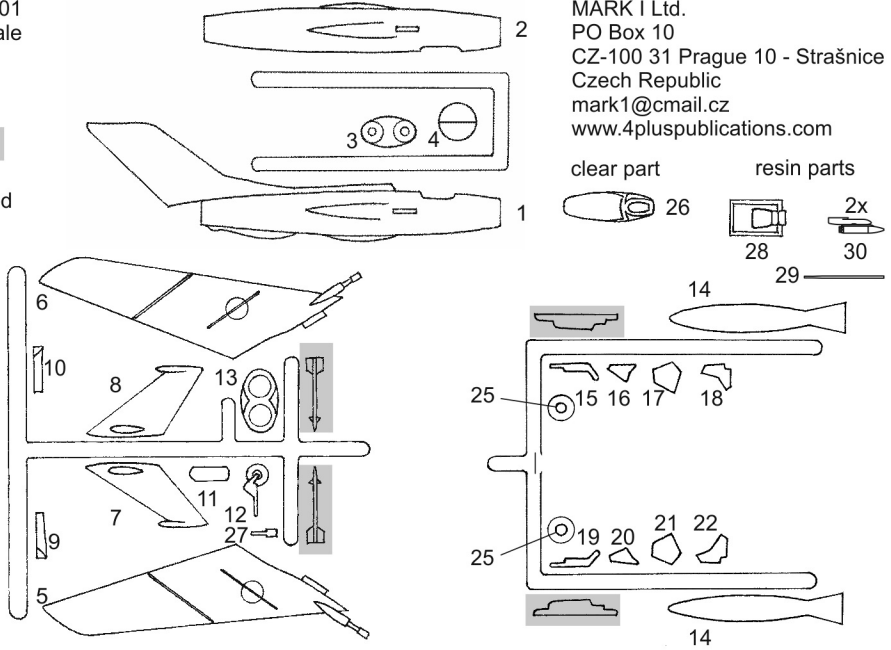
WARSAW PACT SUPERSONIC FIGHTER



MKM14401  
1/144 scale

MARK I Ltd.  
PO Box 10  
CZ-100 31 Prague 10 - Strašnice  
Czech Republic  
mark1@cmail.cz  
www.4pluspublications.com

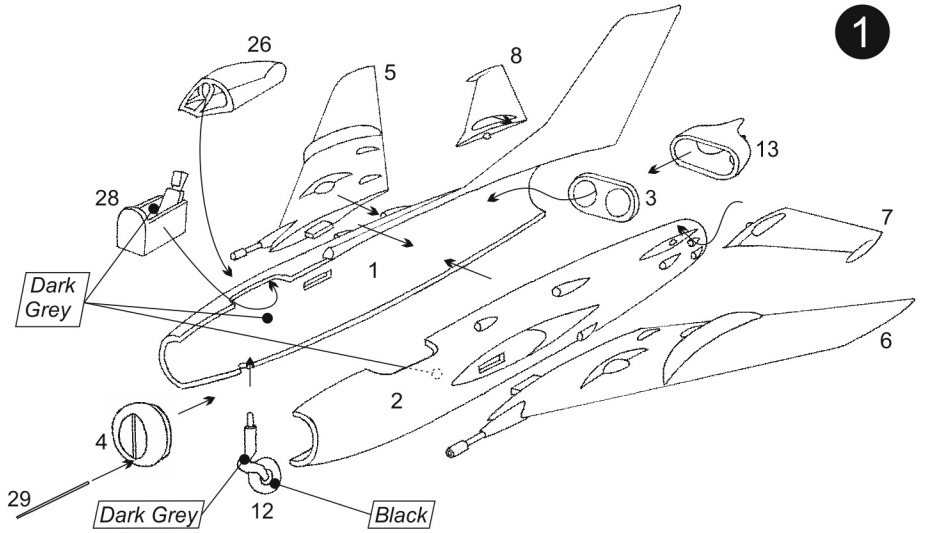
parts not  
to be used



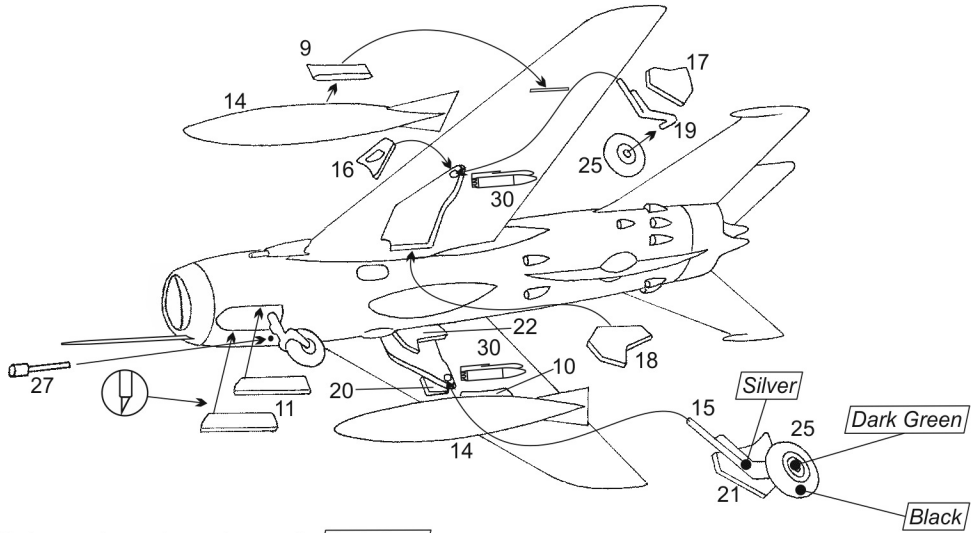
clear part      resin parts

26      28      2x 30

- Repeat this operation
- Glue
- Don't glue
- Drill
- Detach
- Optional

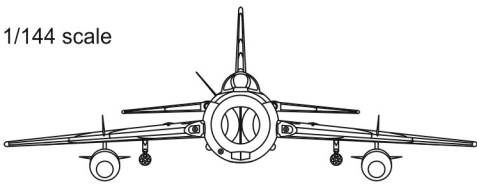


**1**




**Colour note:** undercarriage wells **Dark Grey**  
 inside of undercarriage covers **Dark Grey**

1/144 scale



For more information see  
 4+ Publication "MiG-19"

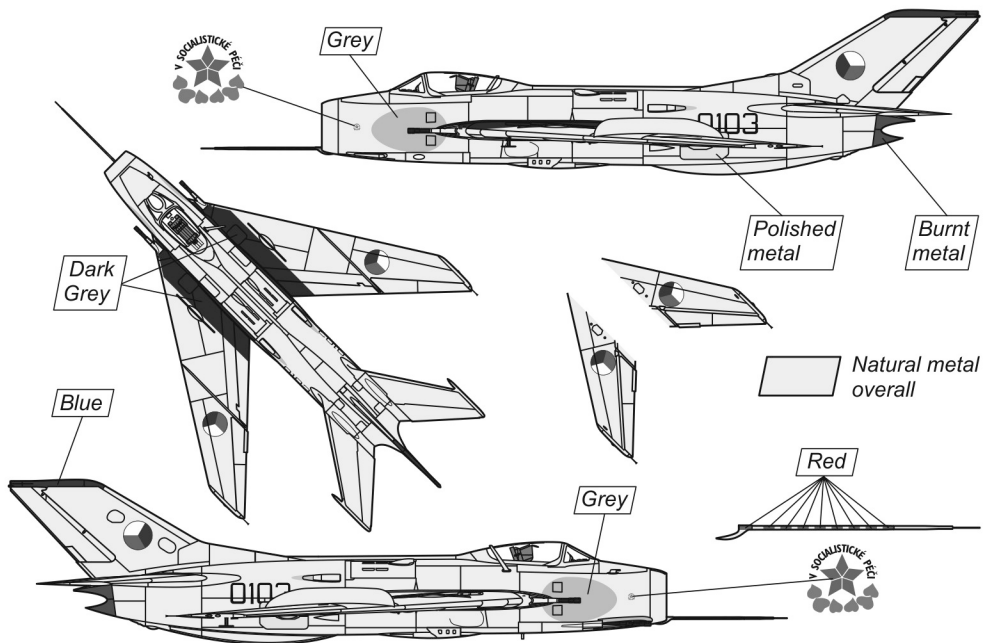
**4+ publication**



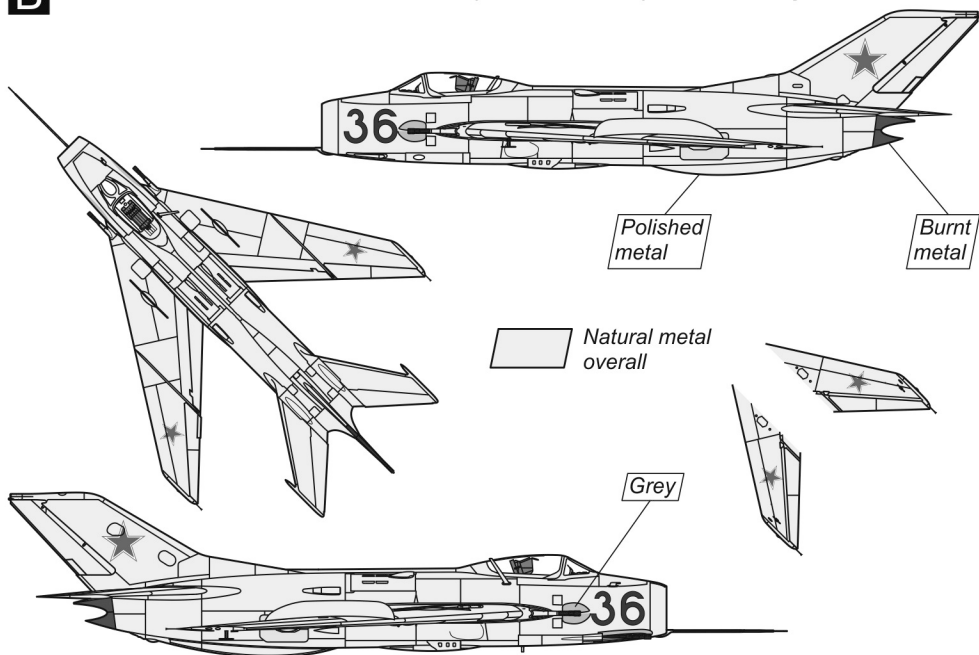
**MiG-19**  
 Day Interceptor & Two-seat variants  
 MiG-19, S, SV, S-105,  
 Shenyang J-6, F-6, JZ-6, JJ-4, FT-6,  
 J-6I, II&III

jet age wings  
line  
1/144 scale plans

**A** MiG-19S (S-105) Farmer C, Black 0103 (c/n 950103), 1st Sq. 9th Fighter Regiment, Czechoslovak Air Force (vojenské letectvo ČSLA), Bechyně Air Base, June 1961

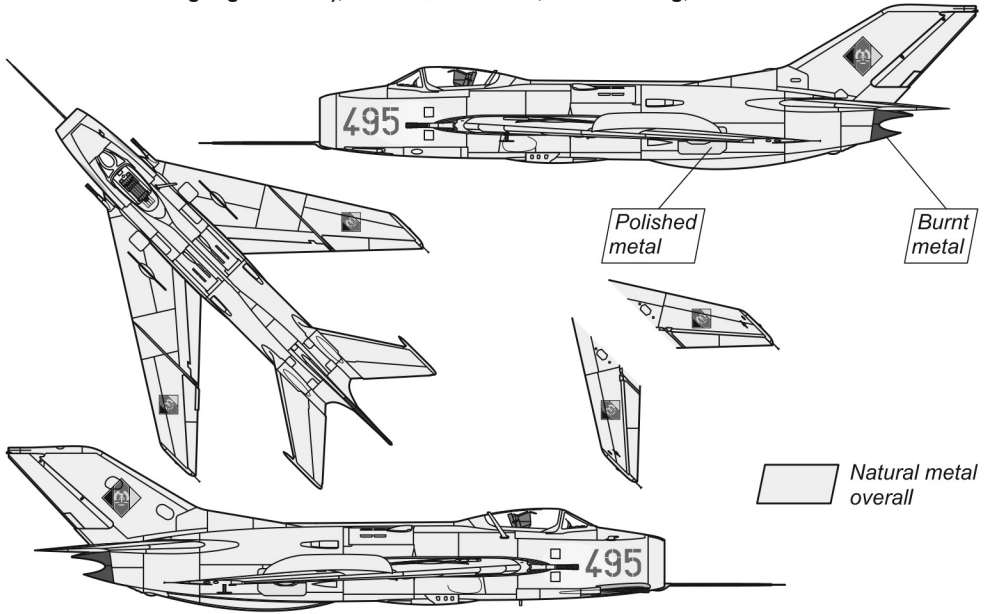


**B** MiG-19S Farmer C, Blue 36, VVS USSR (Soviet Air Force), East Germany, 1960



**C**

MiG-19S Farmer C, Red 495 (c/n 61211225), 1/JG-3 (1. Staffel Jagdfliegergeschwader 3) 'Wladimir Komarow', East German Air Force (LSK/LV DDR - Luftstreitkräfte und Luftverteidigung der DDR), Preschen Air Base, Brandenburg, 1967

**D**

MiG-19S Farmer C, Red 11, 19th IAP, Bulgarian Air Force (Bolgarski Voenno Vozdushni Sily), Graf Ignatievo Air Base, 1958

