

SIKORSKI H-34

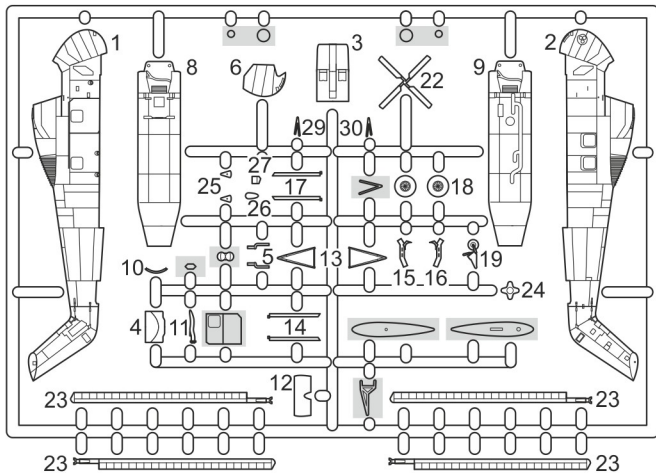
IN COMBAT



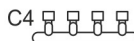
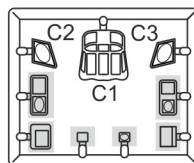
MKM144148
1/144 scale

MARK I Ltd.
PO Box 10
CZ-100 31 Prague 10 - Strašnice
Czech Republic
mark1@cmail.cz
www.4pluspublications.com

plastic parts

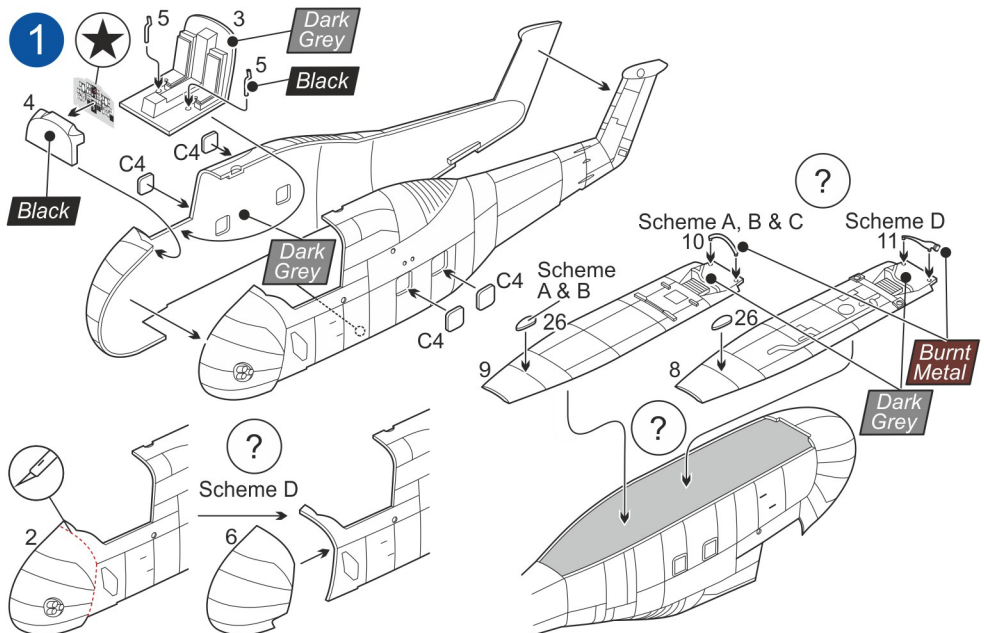


clear parts



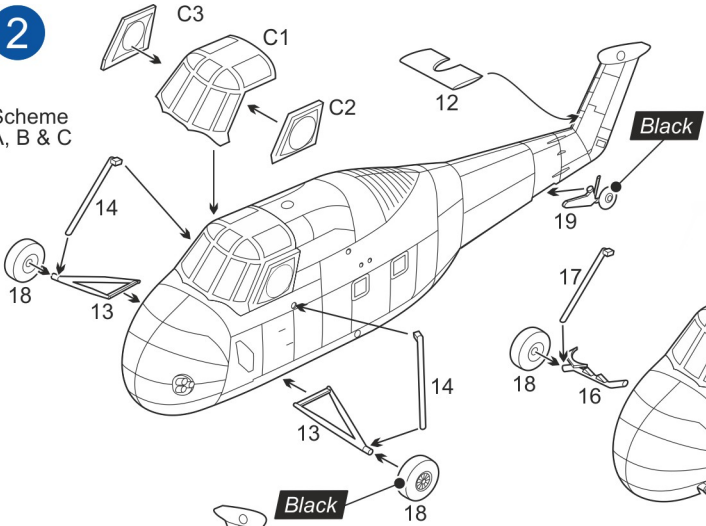
parts not to be used

- Repeat this operation
- Glue
- Don't glue
- Decal
- Detach/cut
- Optional

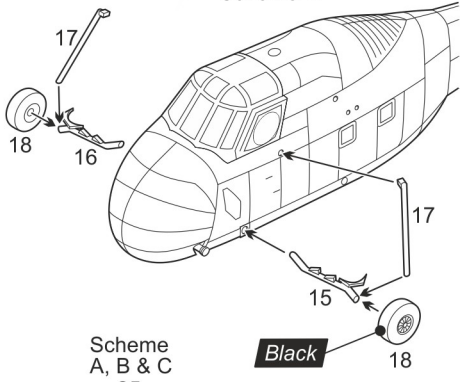


2

Scheme A, B & C



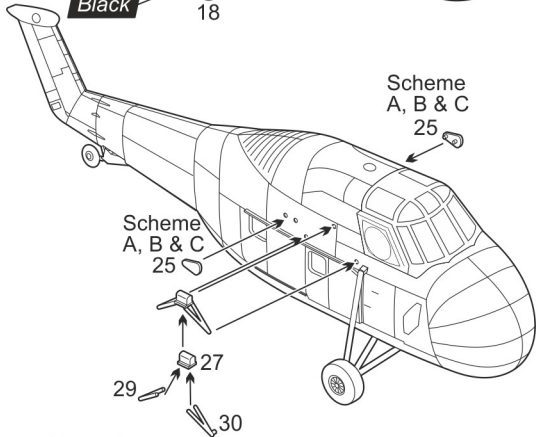
Scheme D



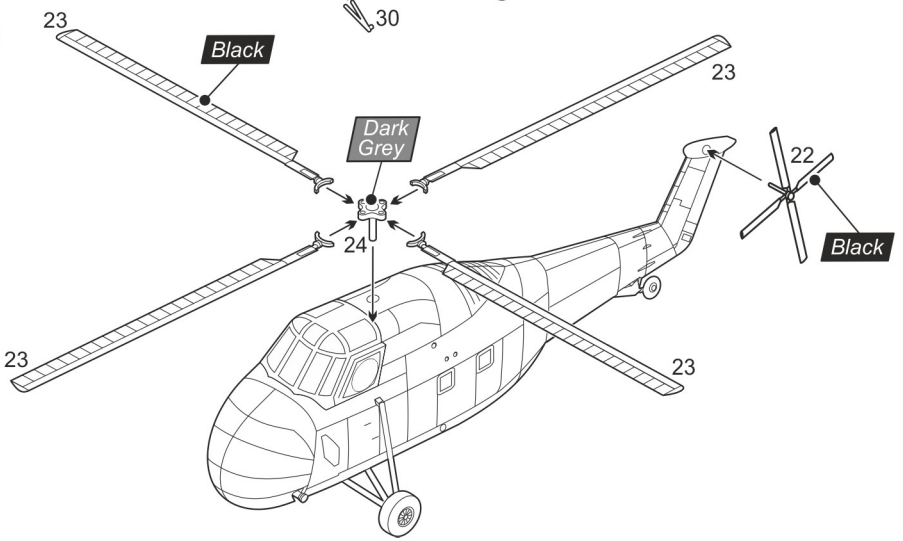
3

Scheme A, B & C

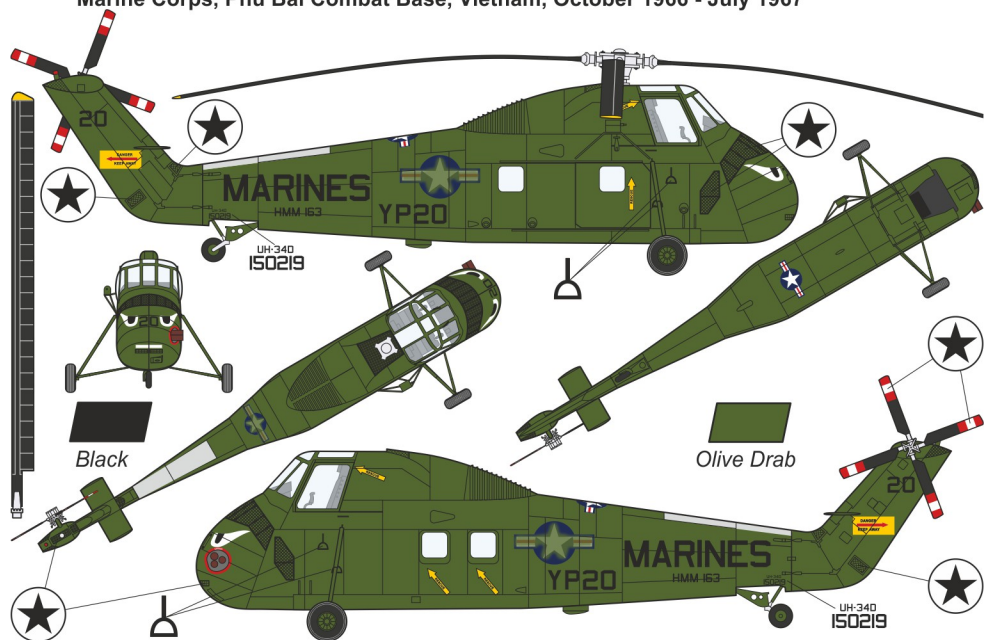
Scheme A, B & C



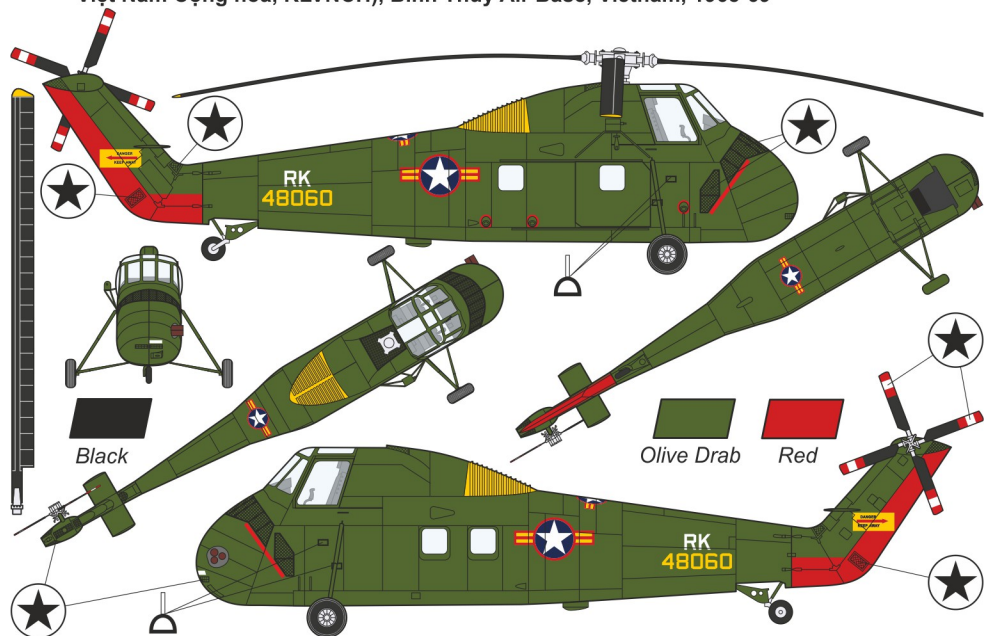
4



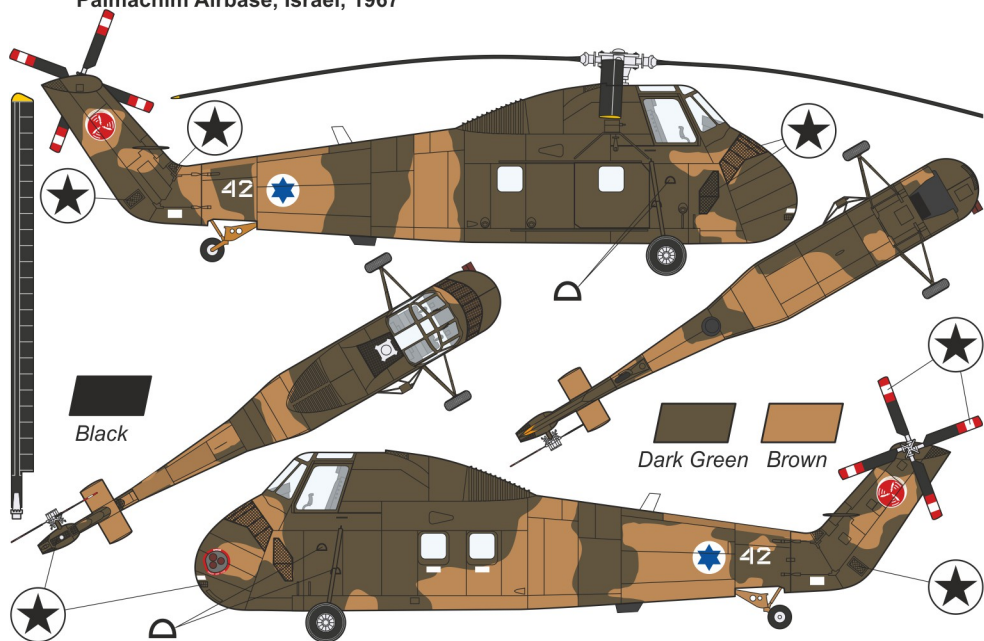
A Sikorsky HUS-1 (UH-34D) Seahorse, BuNo 150219 (c/n 58-1559), Black 20-YP20, HMM-163 (Marine Medium Helicopter Squadron) "Ridge Runners", 3rd Marine Air Wing (MAW), U.S. Marine Corps, Phu Bai Combat Base, Vietnam, October 1966 - July 1967



B Sikorsky HUS-1 (UH-34D) Seahorse/"Kingbee", BuNo 148060 (c/n 53-1173), RK 48060, 217th Helicopter Squadron, 74th Tactical Wing, South Vietnamese Air Force (Không lực Việt Nam Cộng hòa, KLVNCH), Binh Thuy Air Base, Vietnam, 1965-69



C Sikorsky S-58 (H-34G.III/CH-34A), No.15796 (c/n 58-1657), White 42, No.124 "Rolling Sword" Squadron (Tayeset), Israeli Air Force (IAF, Kheil Ha'Avir), Israeli Defence Force, Palmachim Airbase, Israel, 1967



D Sikorsky H-34A, c/n 58-354 (SKY-354), Yellow 58354 LQ, Escadrons d'Hélicoptères Lourds (EHL) 1/58, Escadre d'Hélicoptères (EH) n°3, French Air Force (Armée de l'Air), Air Base (BA) 142 Boufarik, Algeria, 1957-59

