

SIKORSKI H-34

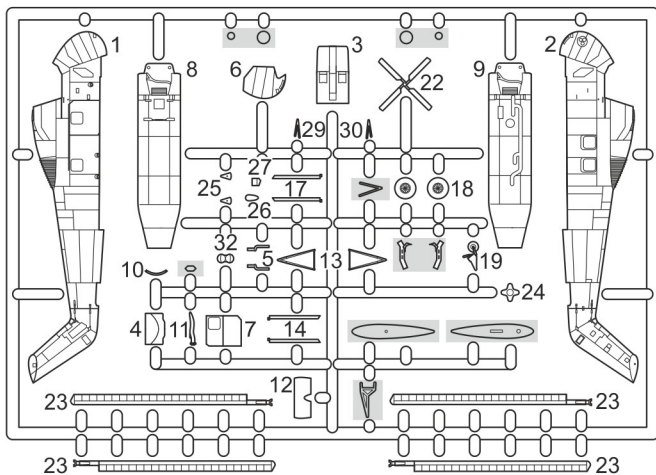
AROUND THE WORLD



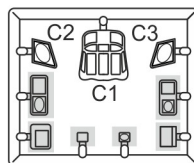
MKM144147
1/144 scale

MARK I Ltd.
PO Box 10
CZ-100 31 Prague 10 - Strašnice
Czech Republic
mark1@cmail.cz
www.4pluspublications.com

plastic parts

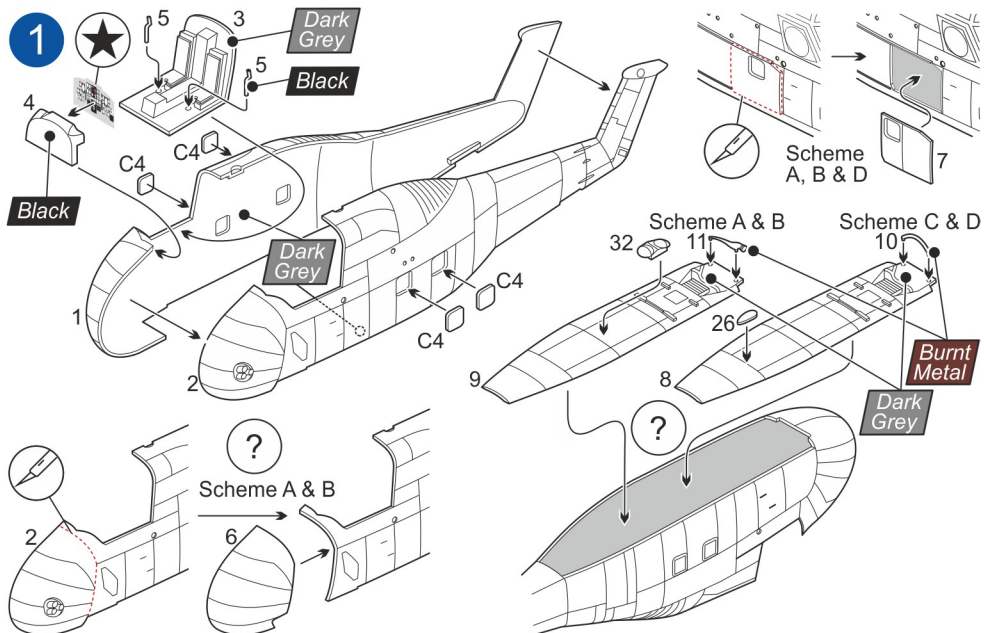


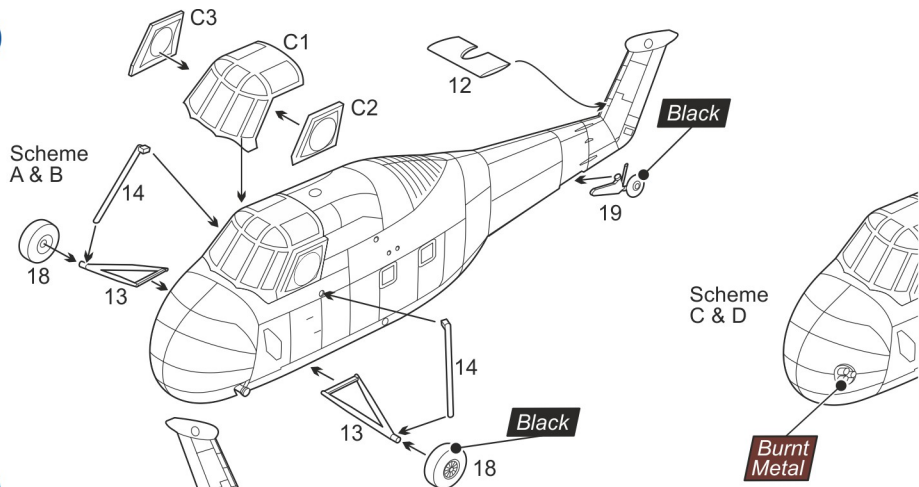
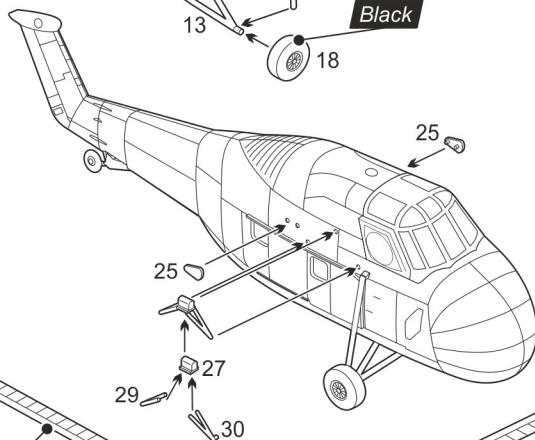
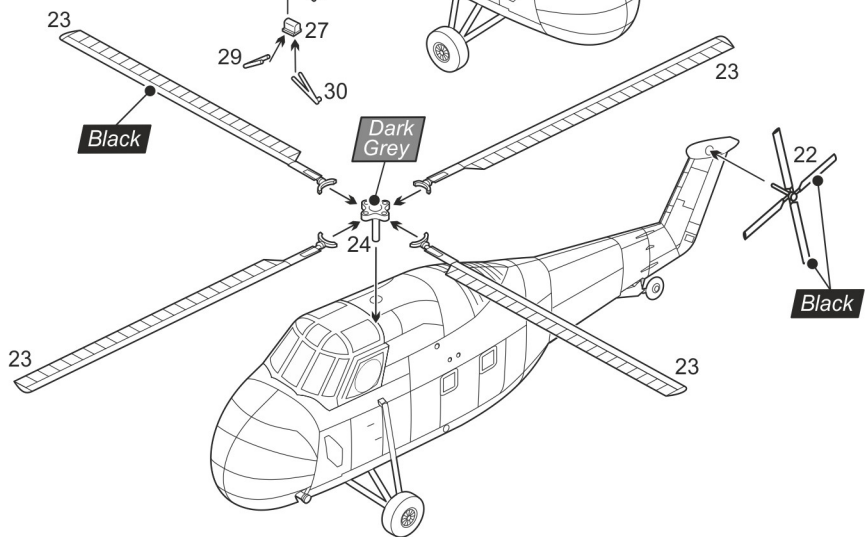
clear parts



parts not to be used

- Repeat this operation
- Glue
- Don't glue
- Decal
- Detach/cut
- Optional

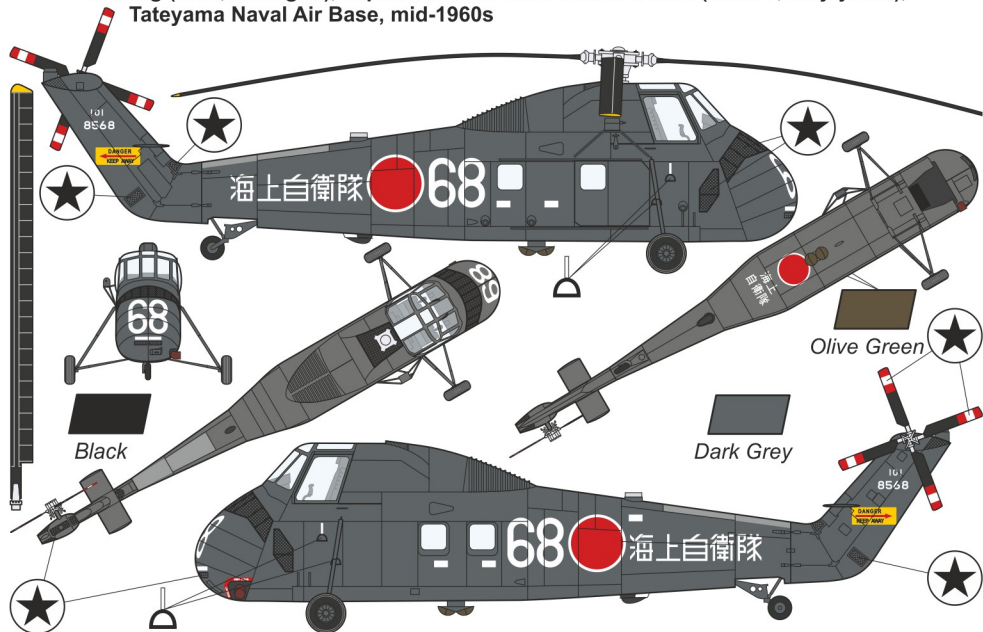


2**3****4**

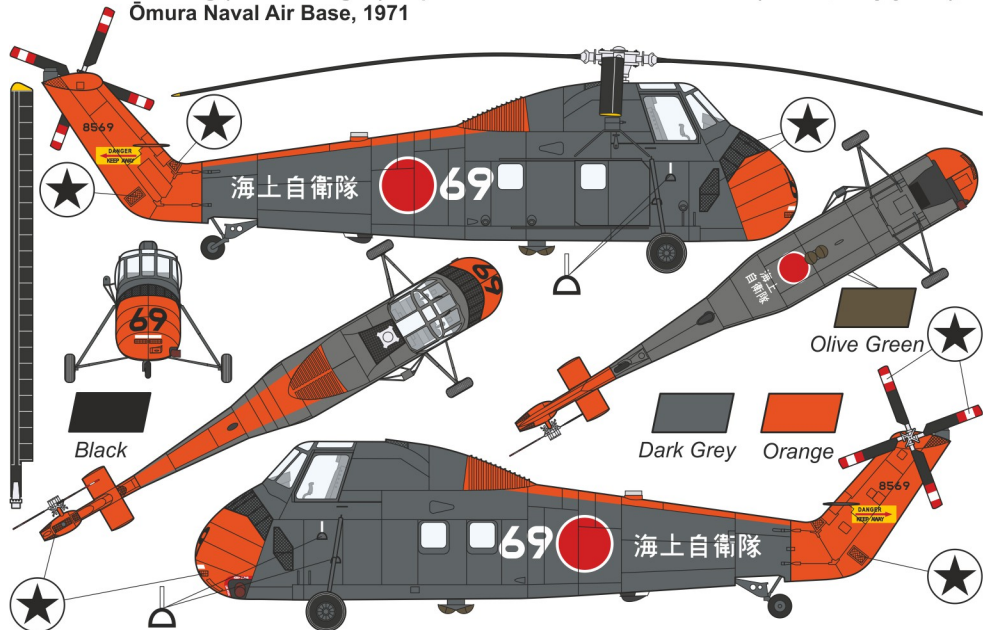
A シコルスキー(三菱重工ノックダウン生産) HSS-1N (SH-34J) 製造番号58-1529、機体番号 101-8568/68、海上自衛隊、館山航空基地、第21航空群、第101航空隊、1960年代中期

B シコルスキー(三菱重工ノックダウン生産) HSS-1N (SH-34J) 製造番号58-1543、機体番号 8569/69、海上自衛隊、大村航空基地、第21航空群、第101航空隊、1971年

A Sikorsky (assembled by Mitsubishi Heavy Industries) HSS-1N (SH-34J), c/n 58-1529, White 101-8568/68, 101st Helicopter Anti-submarine Squadron (HAS-101, 101 Kokutai), 21st Fleet Air Wing (FAW, Kōkūgun), Japan Maritime Self-Defense Force (JMSDF, Kaijōjietai), Tateyama Naval Air Base, mid-1960s

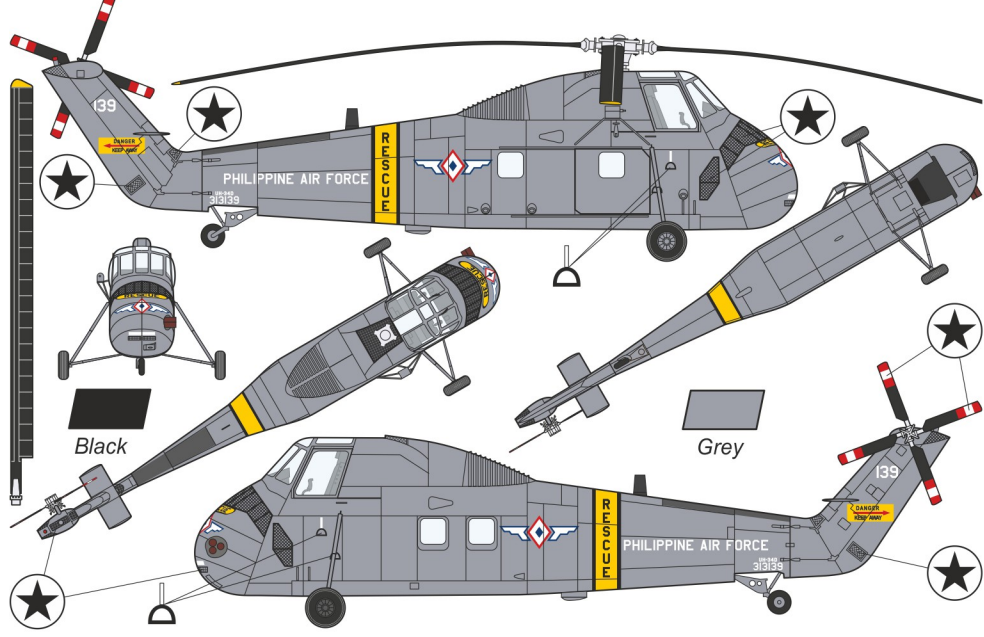


B Sikorsky (assembled by Mitsubishi Heavy Industries) HSS-1N (SH-34J), c/n 58-1543, Black 8569/White 69, 101st Helicopter Anti-submarine Squadron (HAS-101, 101 Kokutai), 21st Fleet Air Wing (FAW, Kōkūgun), Japan Maritime Self-Defense Force (JMSDF, Kaijōjietai), Ōmura Naval Air Base, 1971





Sikorsky UH-34D, s/n 63-13139 (c/n 58-1744), White 139, Search and Rescue (SAR), 505th Search and Rescue Group (SRG), Philippine Air Force (Hukbong Himpapawid ng Pilipinas), Villamor Air Base, the 1970s



Sikorsky H-34 (HSS-1N/SH-34J), s/n 60-5424 (c/n 58-1293), Black 8550/50, 3rd Squadron "Esquadrao Puma", 8th Air Group (3^o/8^o GAv), Brazilian Air Force (Força Aérea Brasileira, FAB), Afonsos Air Force Base, Rio de Janeiro, Brazil, mid-1960s

