

# LAVOCHKIN LA-7

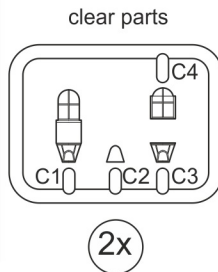
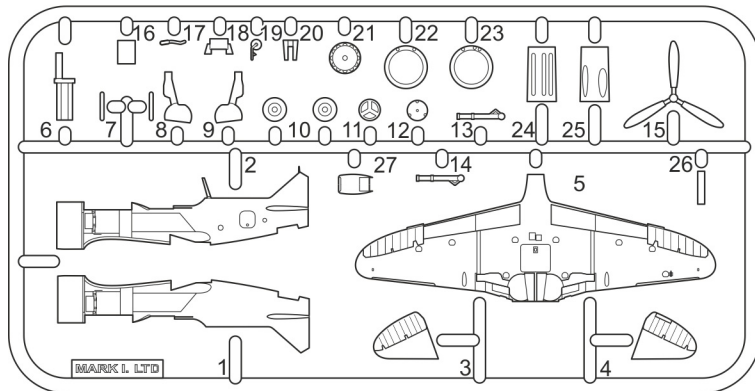
## BERLIN OPERATION



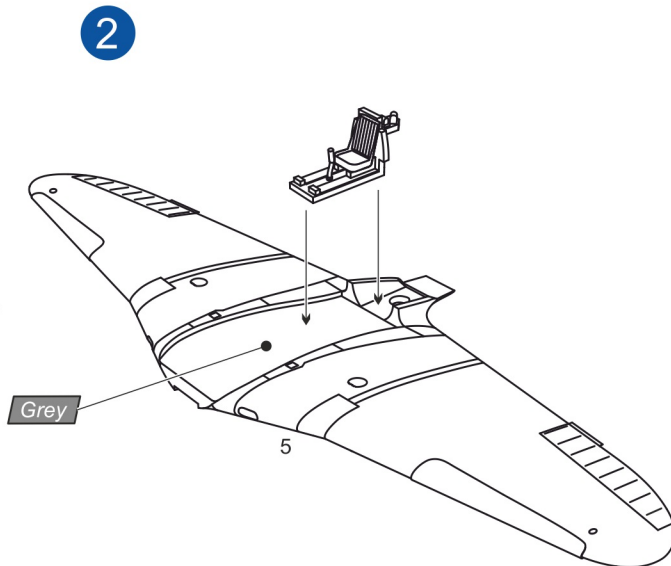
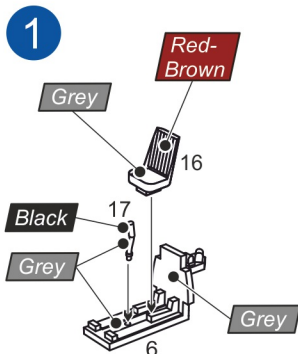
MKM144152  
1/144 scale

MARK I Ltd.  
PO Box 10  
Prague 10 - Strašnice  
CZ-100 31  
Czech Republic  
mark1@cmail.cz  
www.4pluspublications.com

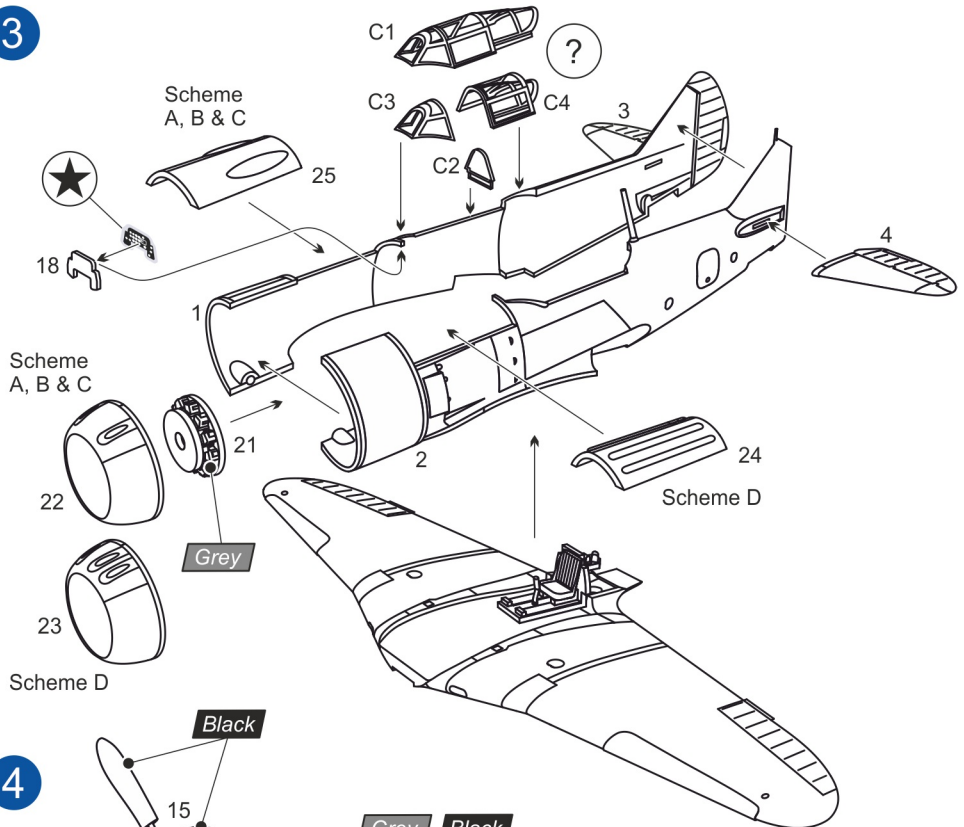
plastic parts **2x**



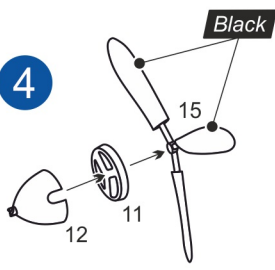
**2x** Repeat this operation



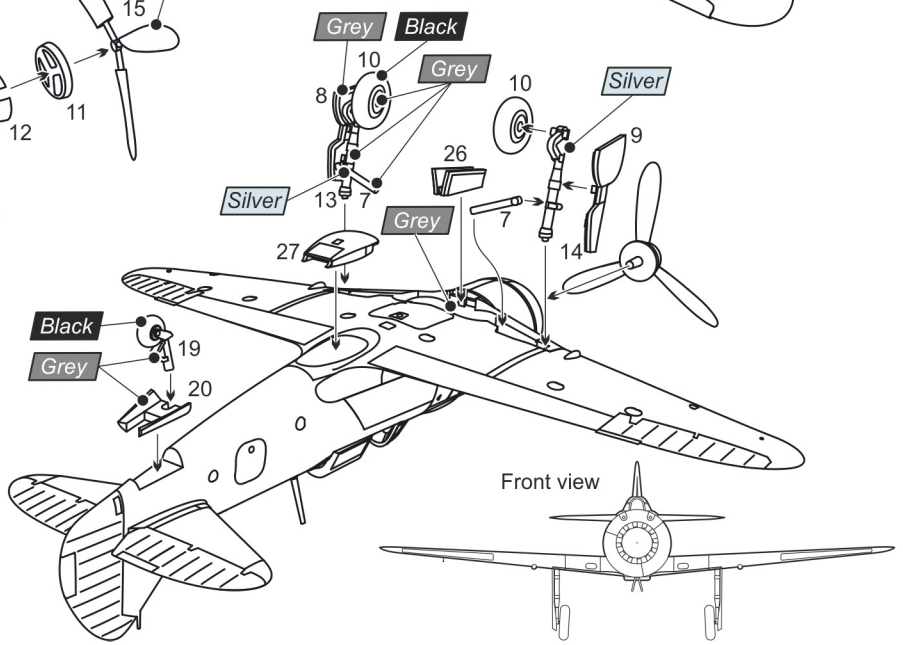
3



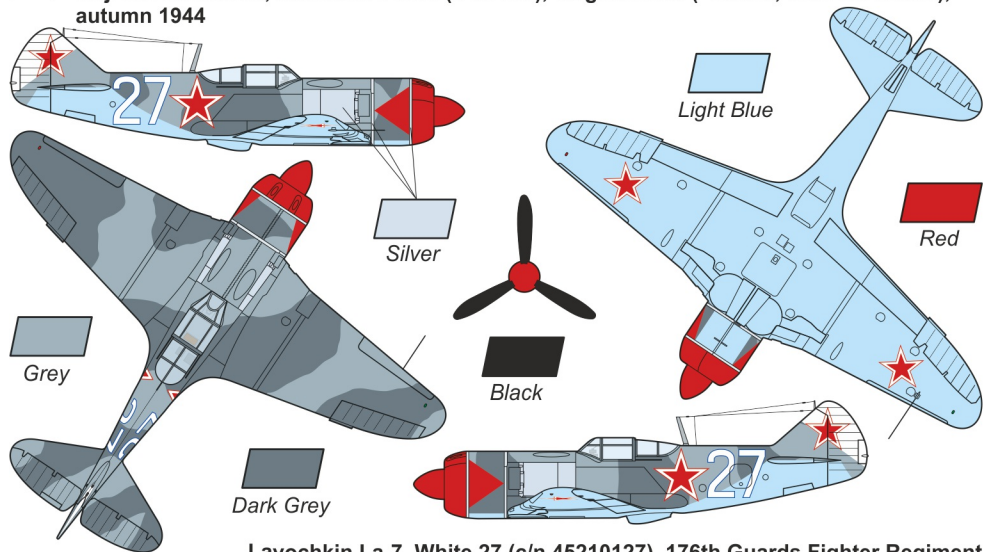
4



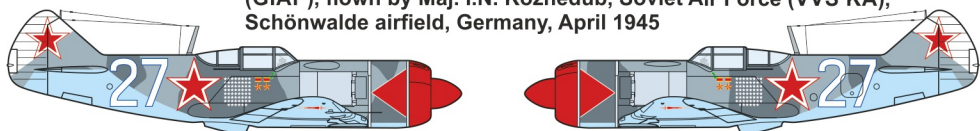
5



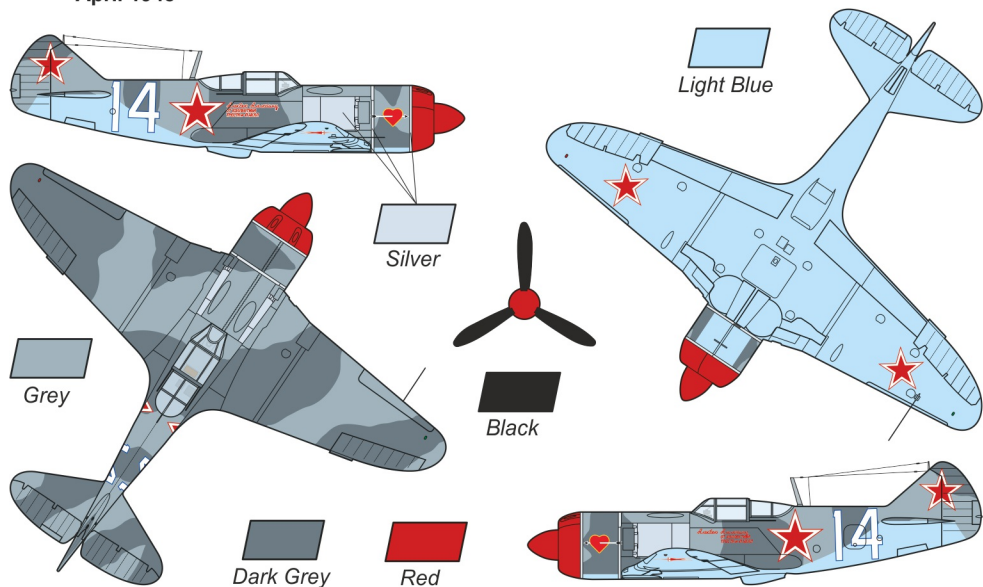
**A** Lavochkin La-7, White 27 (c/n 45210127), 176th Guards Fighter Regiment (GIAP), flown by Maj. I.N. Kozhedub, Soviet Air Force (VVS KA), Valga airfield (Estonia, then the USSR), autumn 1944



Lavochkin La-7, White 27 (c/n 45210127), 176th Guards Fighter Regiment (GIAP), flown by Maj. I.N. Kozhedub, Soviet Air Force (VVS KA), Schönwalde airfield, Germany, April 1945

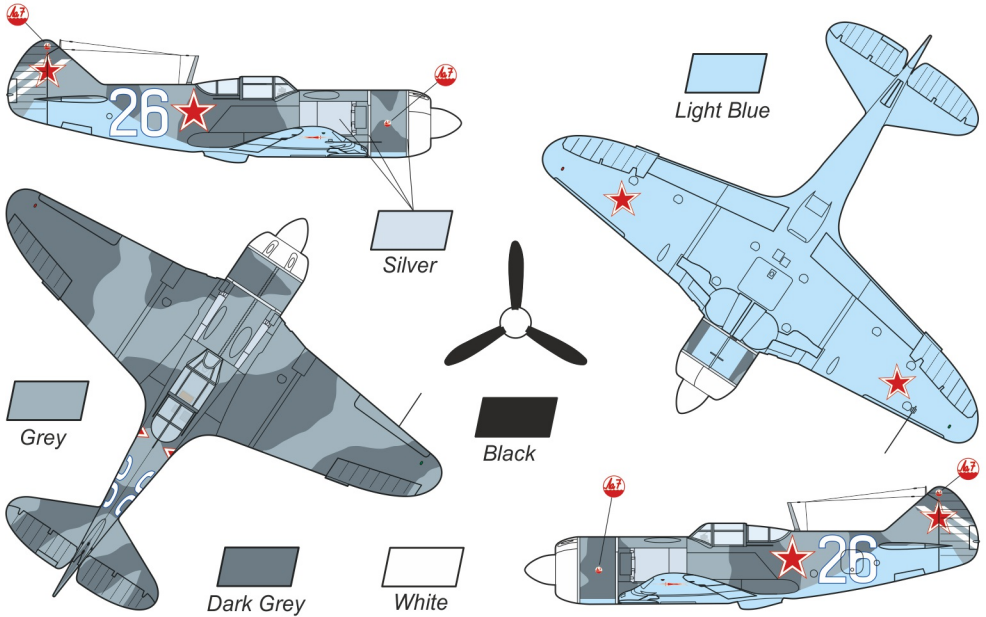


**B** Lavochkin La-7, White 14 (c/n unknown), 1st Sq. (AE), 9th Guards Fighter Regiment (GIAP), flown by Maj. A.V. Alelyukhin, Soviet Air Force (VVS KA), Reppen airfield, Germany, April 1945



**C**

Lavochkin La-7, White 26 (c/n unknown), 137th Guards Fighter Regiment (GIAP), Soviet Air Force (VVS KA), Eggersdorf airfield, Germany, spring 1945

**D**

Lavochkin La-7 (3-cannon), White 23 (c/n unknown), 'Mongolskiy arat', 2nd Sq., 2nd Guards Fighter Regiment (GIAP), Soviet Air Force (VVS KA), Großenhain airfield, Germany, April/May 1945

