

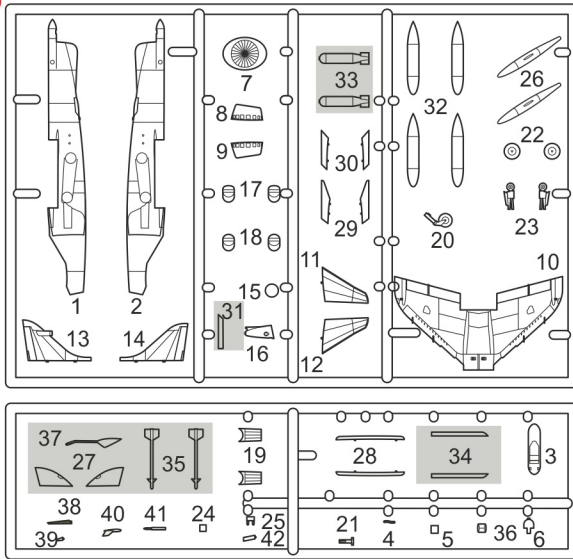
H.S. HARRIER GR.3/AV-8A/AV-8C

SPECIAL MARKINGS



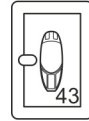
MKM144119
1/144 scale

plastic parts

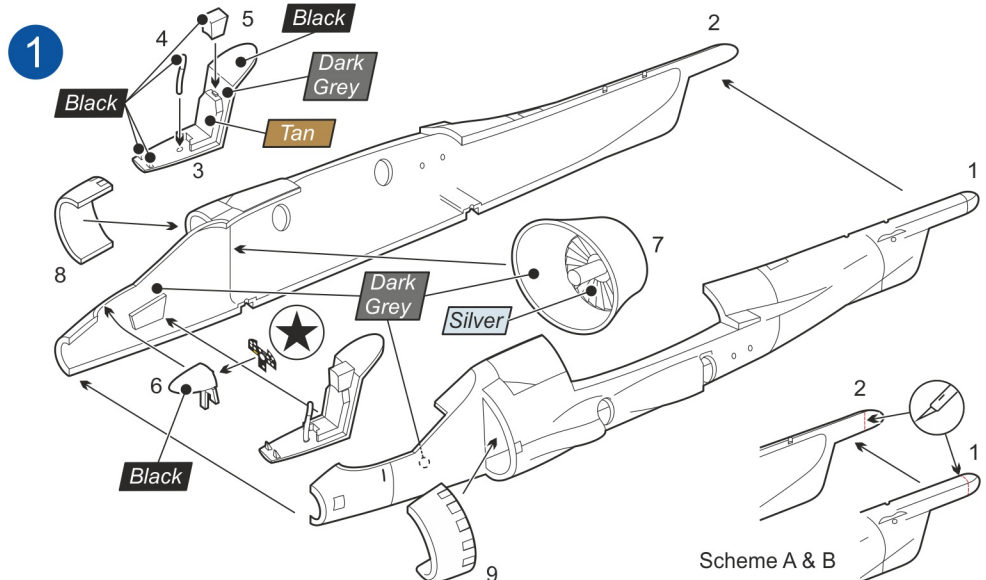


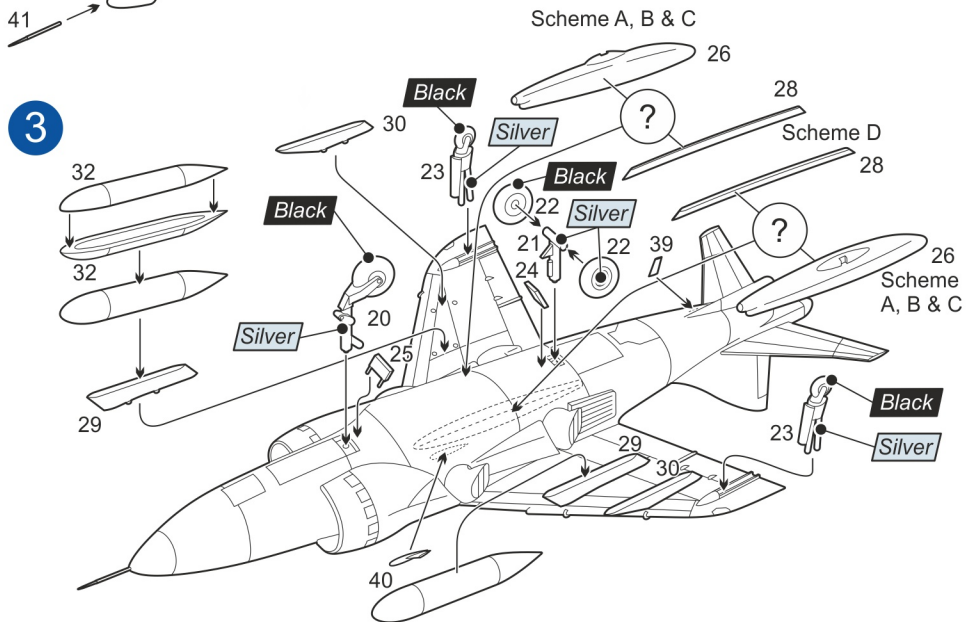
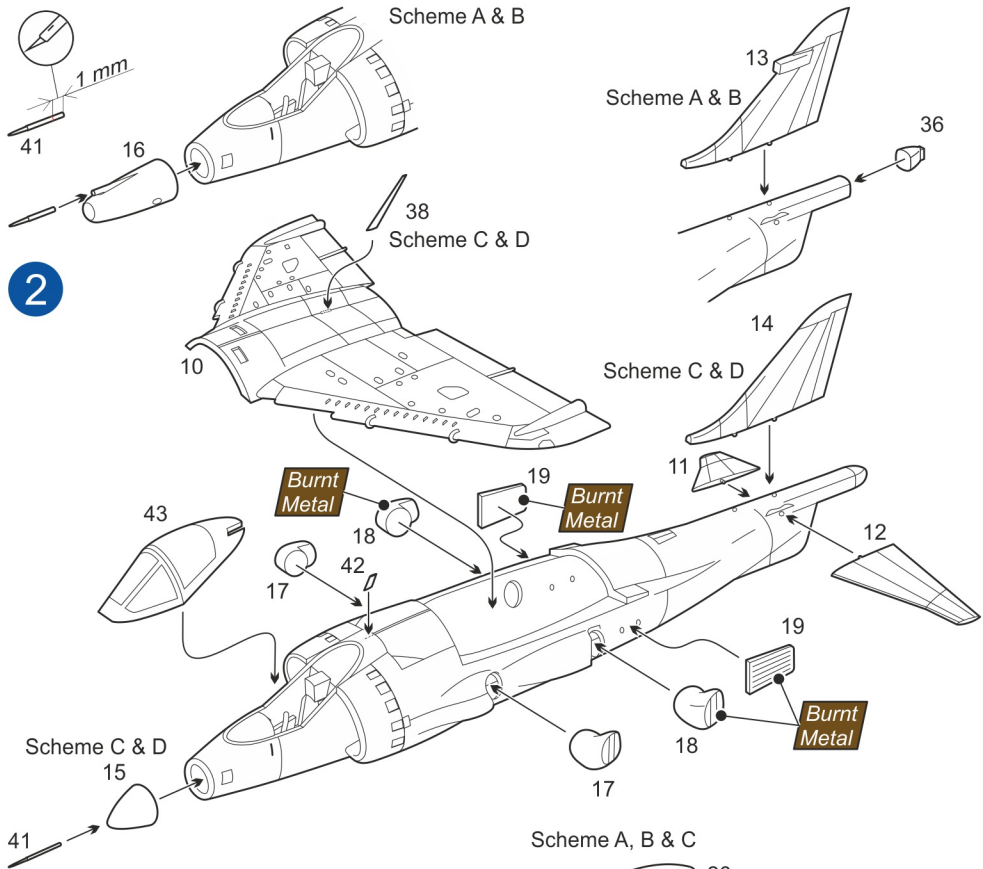
MARK I Ltd.
PO Box 10
Prague 10 - Strašnice
CZ-100 31
Czech Republic
mark1@cmail.cz
www.4pluspublications.com

clear part



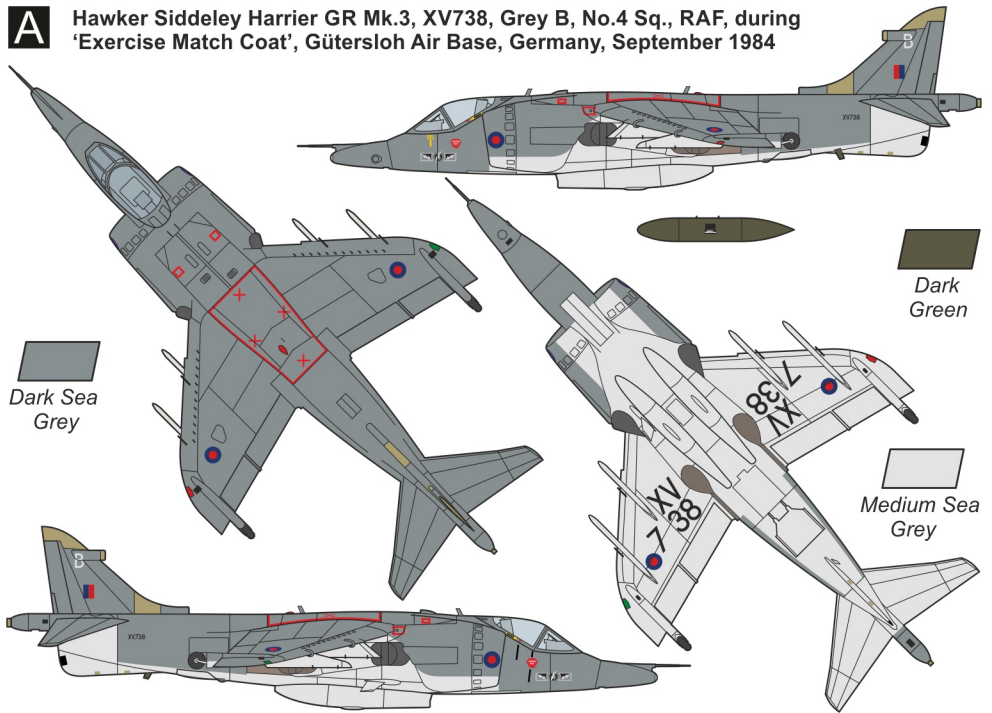
- Repeat this operation
- Glue
- Don't glue
- Decal
- Detach/cut
- Optional



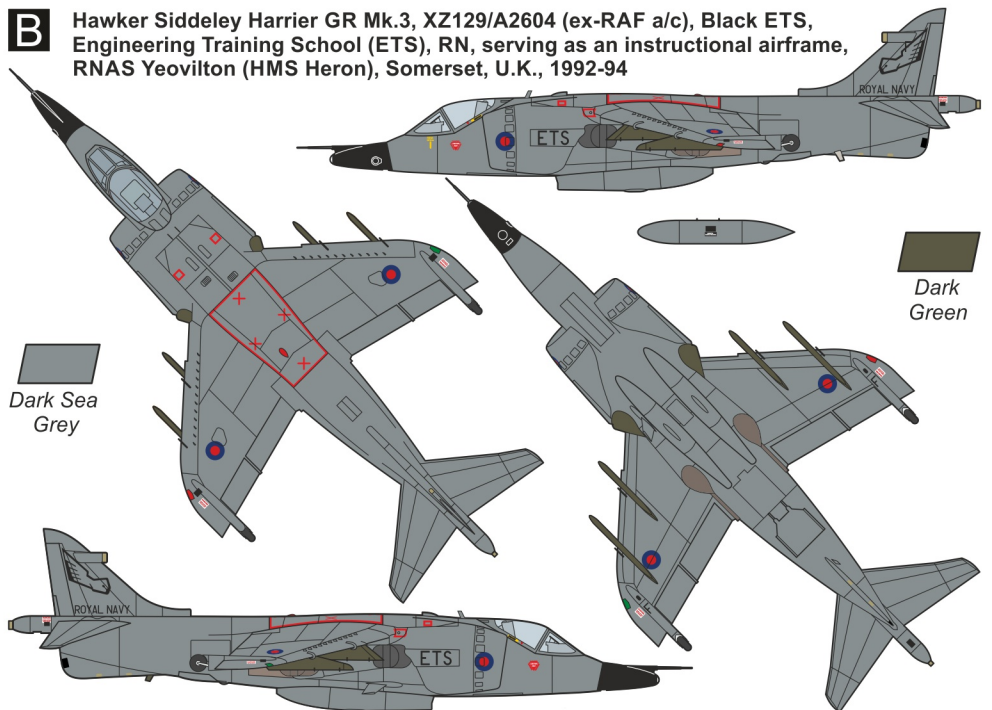


A

Hawker Siddeley Harrier GR Mk.3, XV738, Grey B, No.4 Sq., RAF, during 'Exercise Match Coat', Gütersloh Air Base, Germany, September 1984

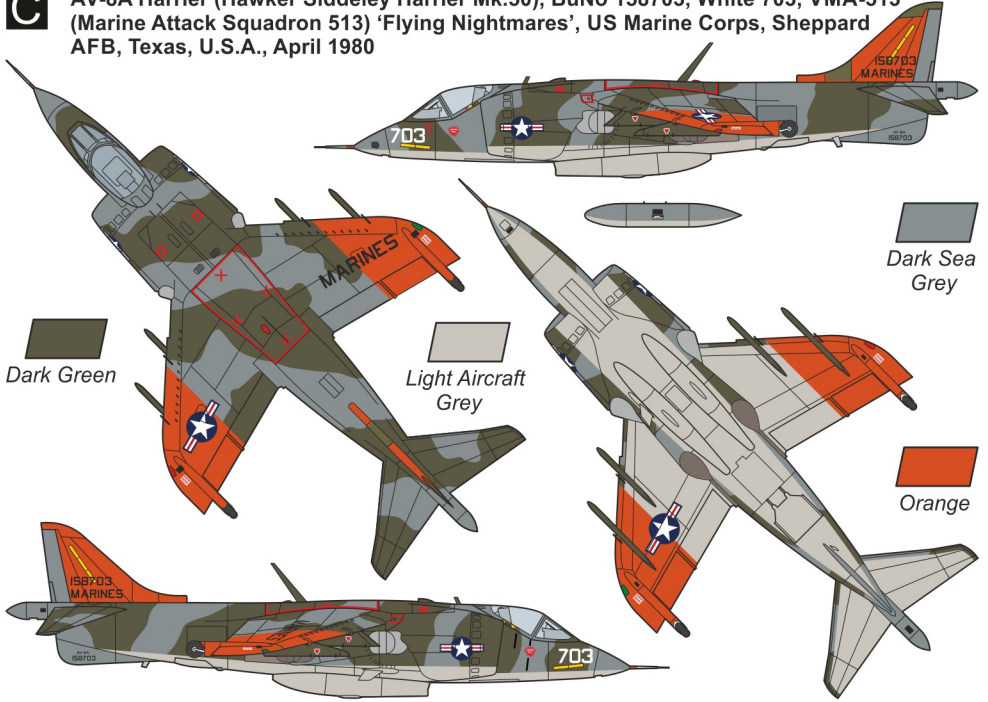
**B**

Hawker Siddeley Harrier GR Mk.3, XZ129/A2604 (ex-RAF a/c), Black ETS, Engineering Training School (ETS), RN, serving as an instructional airframe, RNAS Yeovilton (HMS Heron), Somerset, U.K., 1992-94



C

AV-8A Harrier (Hawker Siddeley Harrier Mk.50), BuNo 158703, White 703, VMA-513 (Marine Attack Squadron 513) 'Flying Nightmares', US Marine Corps, Sheppard AFB, Texas, U.S.A., April 1980

**D**

AV-8C Harrier (Hawker Siddeley Harrier Mk.50), BuNo 158387/N719NA, Black 719, National Aeronautics and Space Administration (NASA), Ames Research Center, NAS Moffett Field, California, U.S.A., 1986-1995

