

# MESSERSCHMITT ME 262A

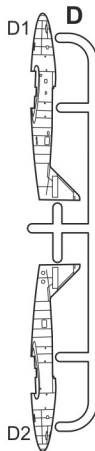
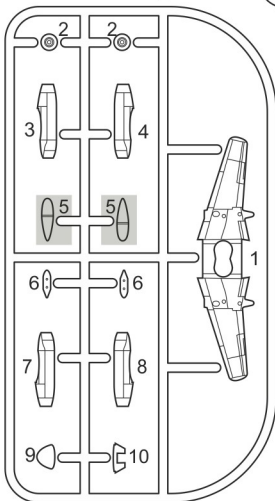
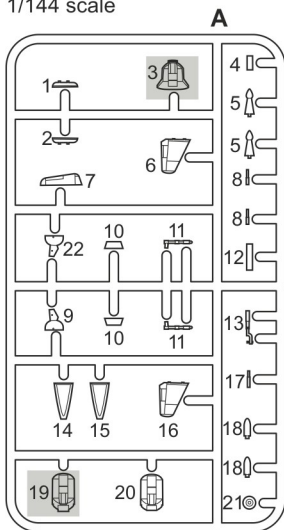
## JET FIGHTER/BOMBER



MKM144116  
1/144 scale

plastic parts

(2x)



MARK I Ltd.  
PO Box 10  
Prague 10 - Strašnice  
CZ-100 31  
Czech Republic  
mark1@cmail.cz  
www.4pluspublications.com

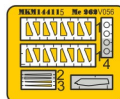
clear part



parts not  
to be used

(2x)

photoetched parts



X

(2x) Repeat this operation



Glue



Don't  
glue



Decal

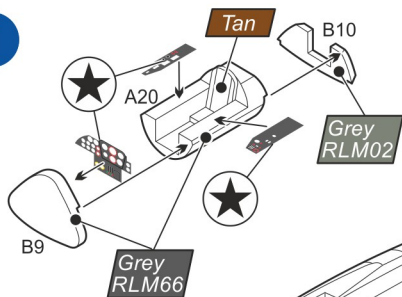


Detach/  
cut

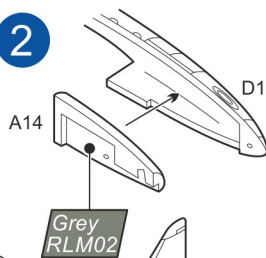


Optional

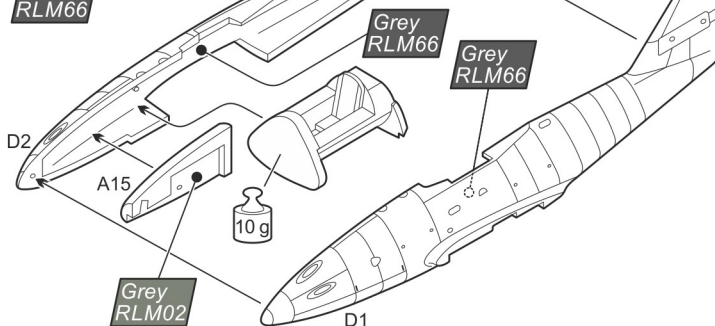
1



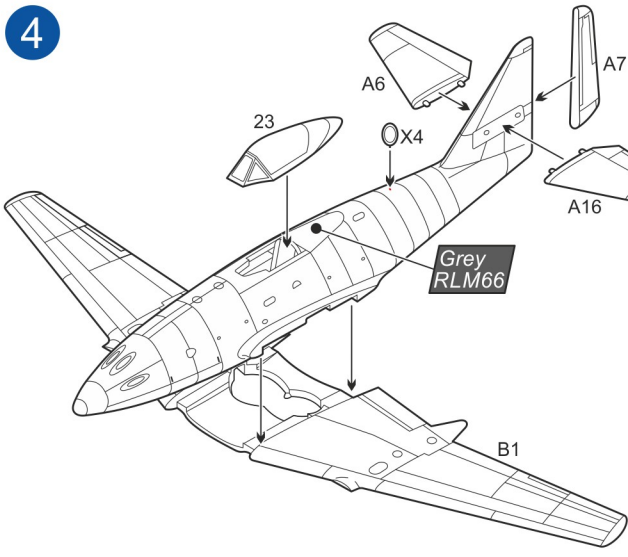
2



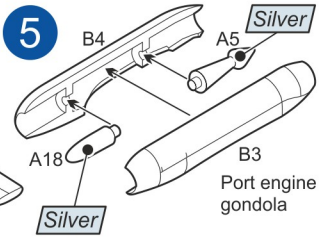
3



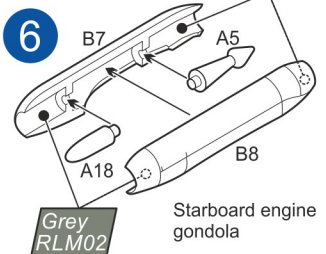
4



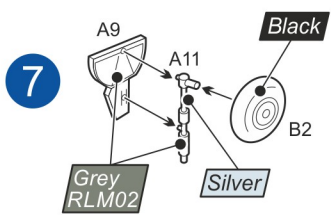
5



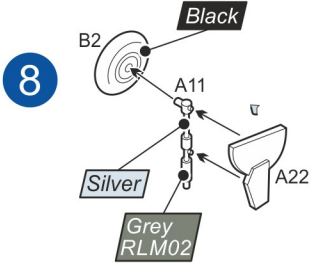
6



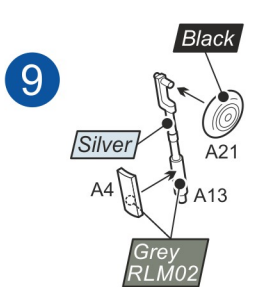
7



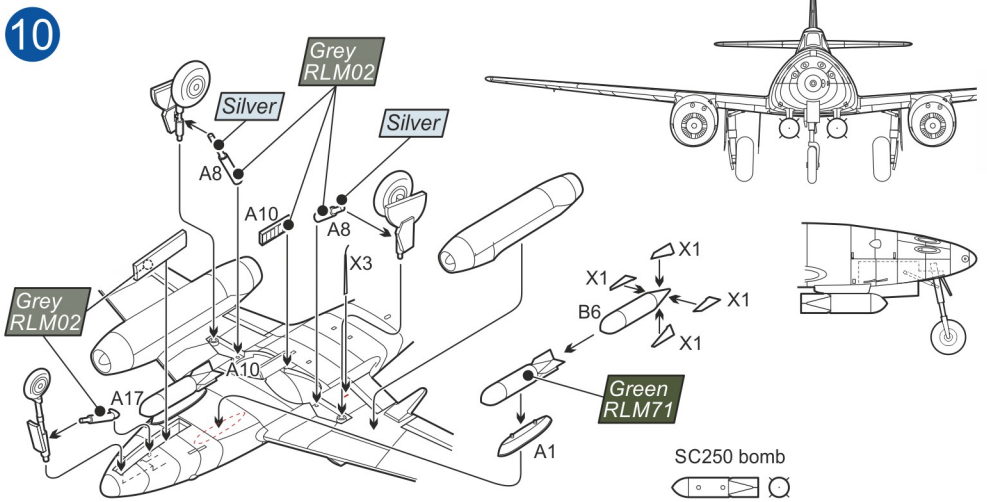
8



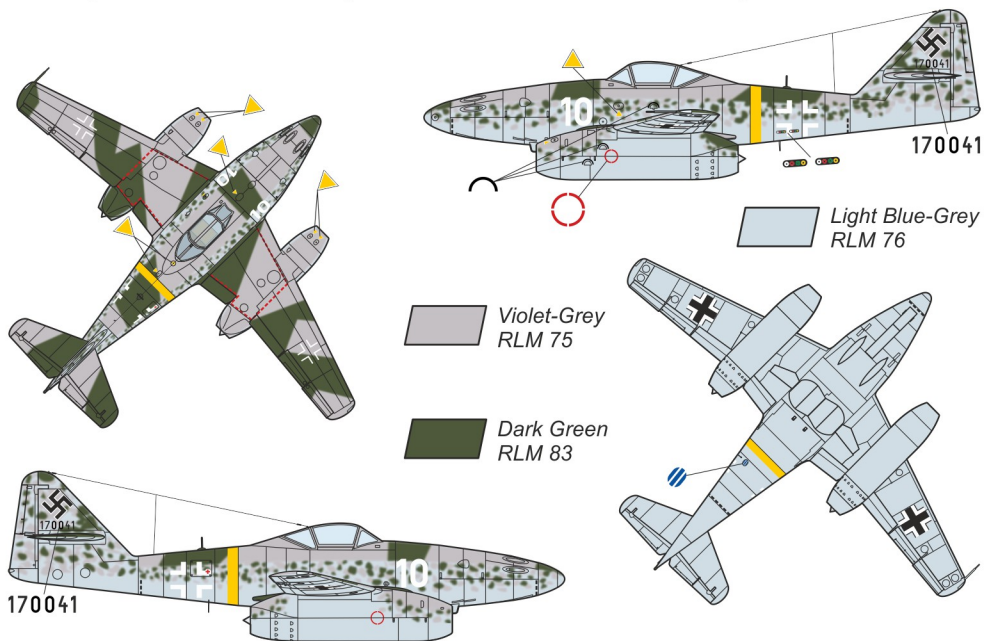
9



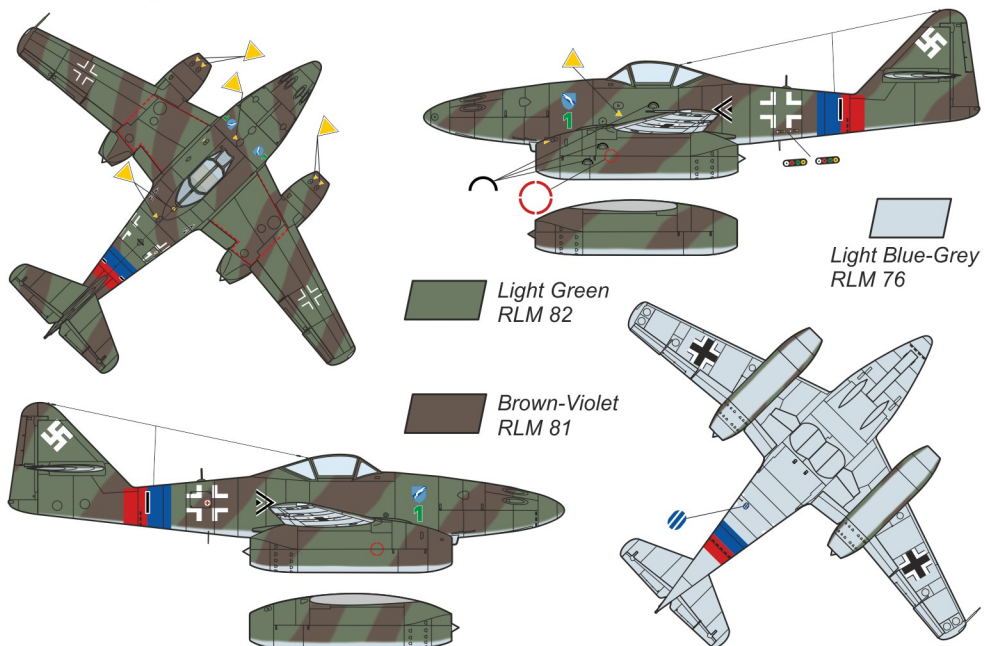
10



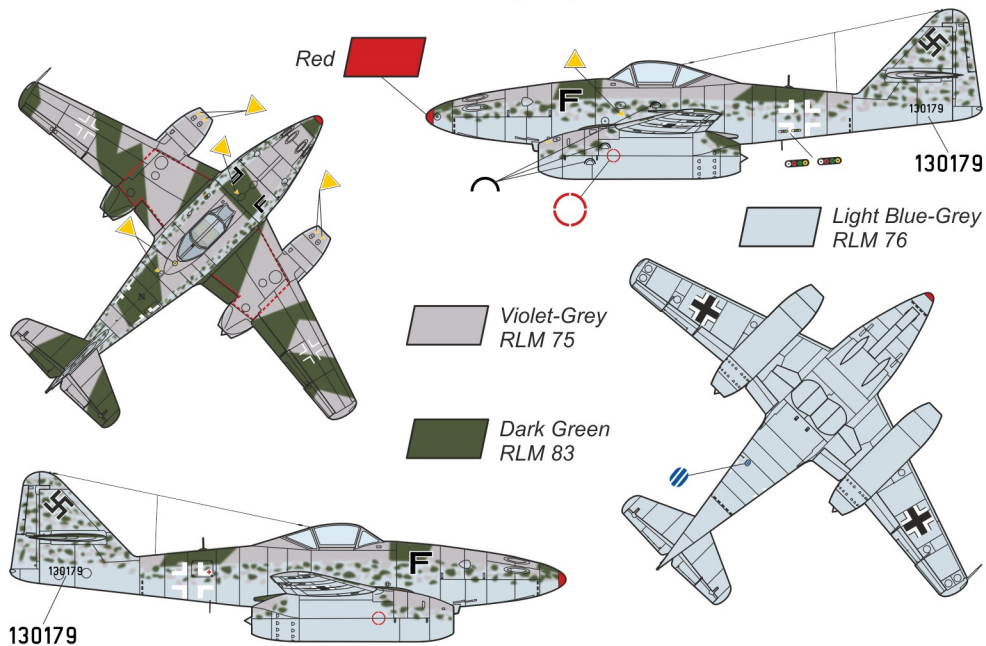
**A** Messerschmitt Me 262A-1a, White 10 (W.Nr. 170041), Erprobungskommando 262 (EKdo, Operational Test Command), Luftwaffe, Lechfeld Air Base, Germany, summer/autumn 1944



**B** Messerschmitt Me 262A-1a, Green 1 (W.Nr. unknown), III./JG 7, Luftwaffe, Parchim Air Base, Germany, March 1945



**C** Messerschmitt Me 262A-1a/Jabo, Black F (W.Nr. 130179), Einsatzkommando Schenk, Luftwaffe, Châteaudun Air Base, France, July/August 1944



**D** Messerschmitt Me 262A-2a, Red B, 9K+BH (W.Nr. unknown), 5./KG 51, Luftwaffe, Schwäbisch Hall-Hessental Air Base, Germany, autumn 1944

