

HAWKER TEMPEST MK.V

IN FINAL ROLES

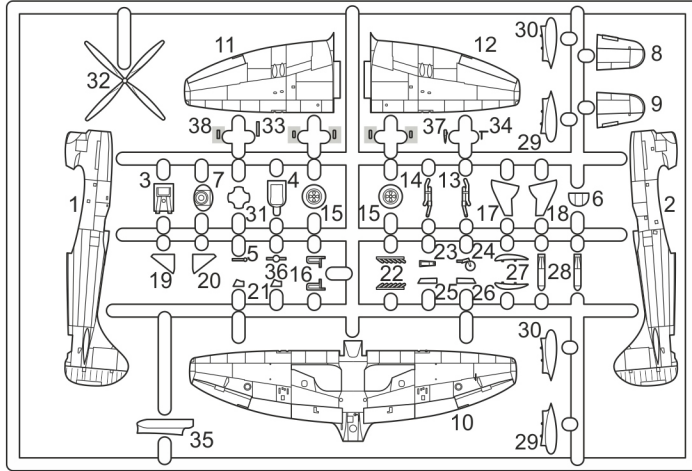


MKM144111
1/144 scale

MARK I Ltd.
PO Box 10
Prague 10 - Strašnice
CZ-100 31
Czech Republic
mark1@cmail.cz
www.4pluspublications.com

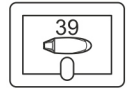
plastic parts

(2x)



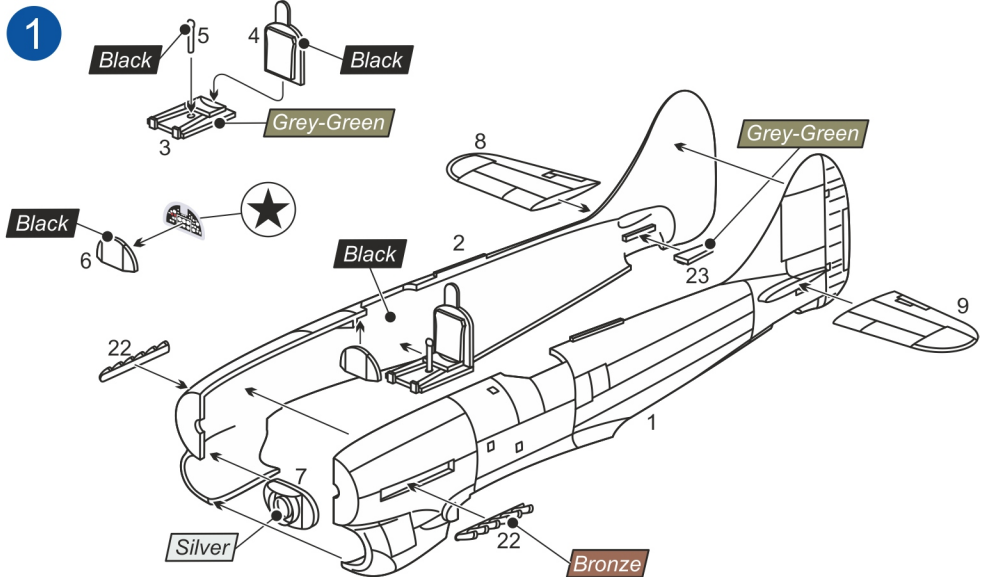
clear part

(2x)

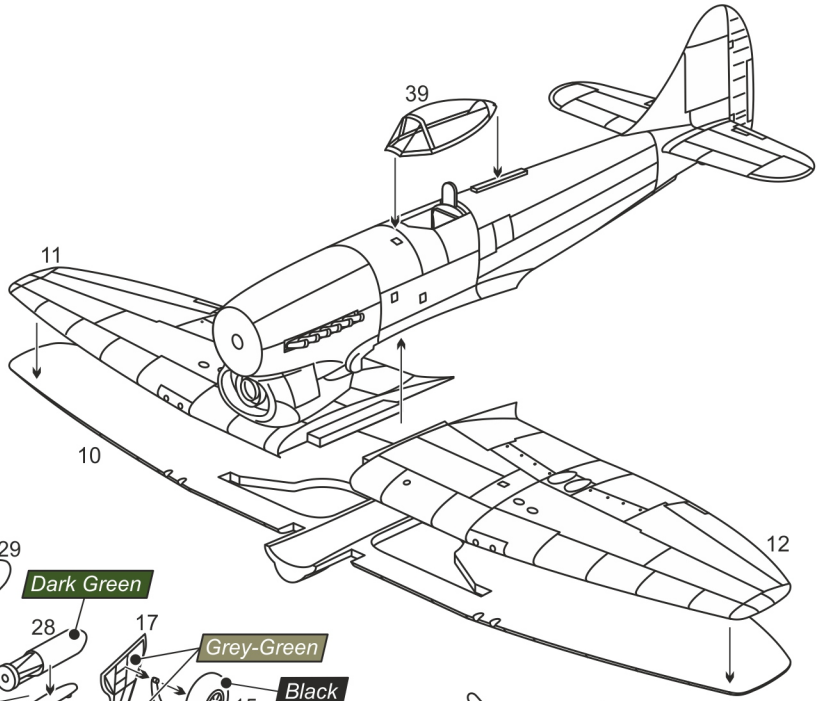


parts not to be used

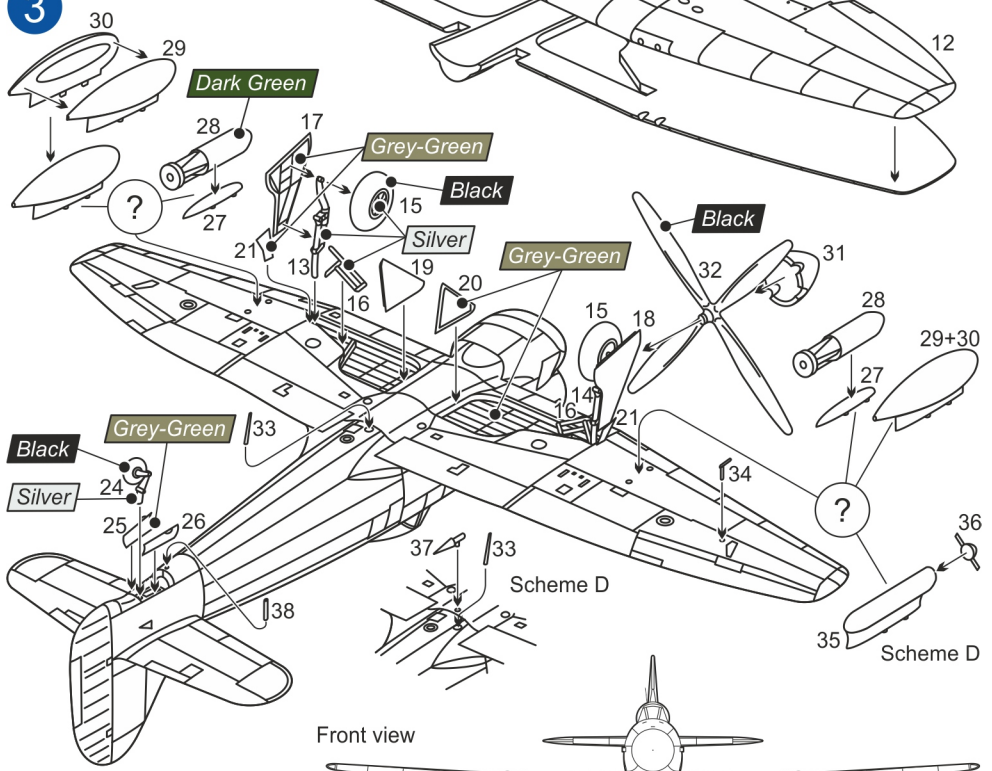
- (2x) Repeat this operation
- Glue
- Don't glue
- Decal
- Detach/cut
- (?) Optional



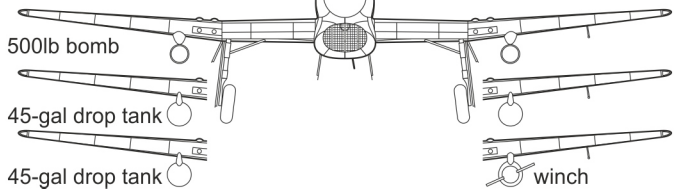
2



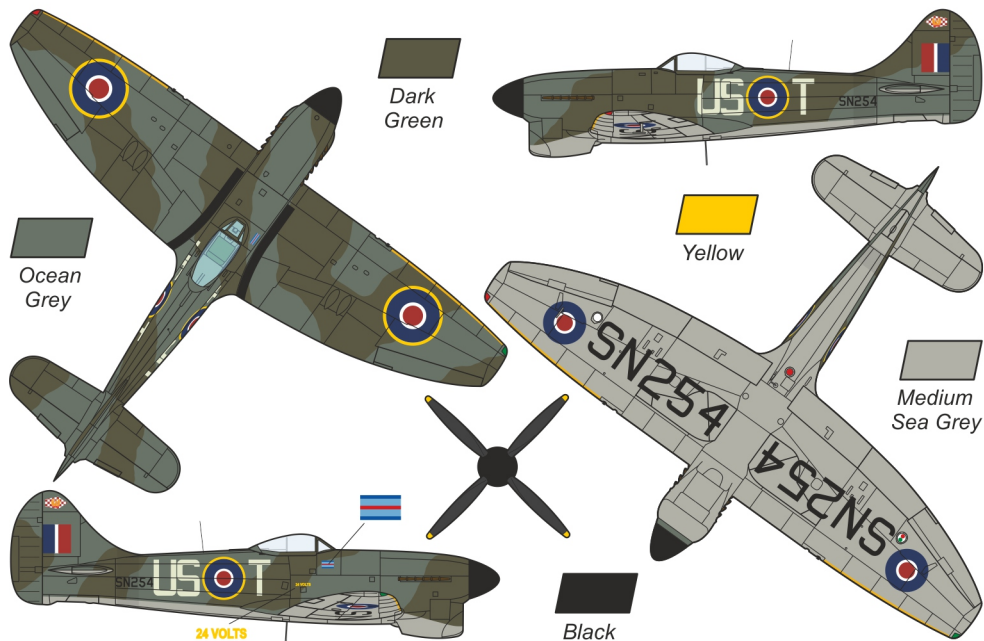
3



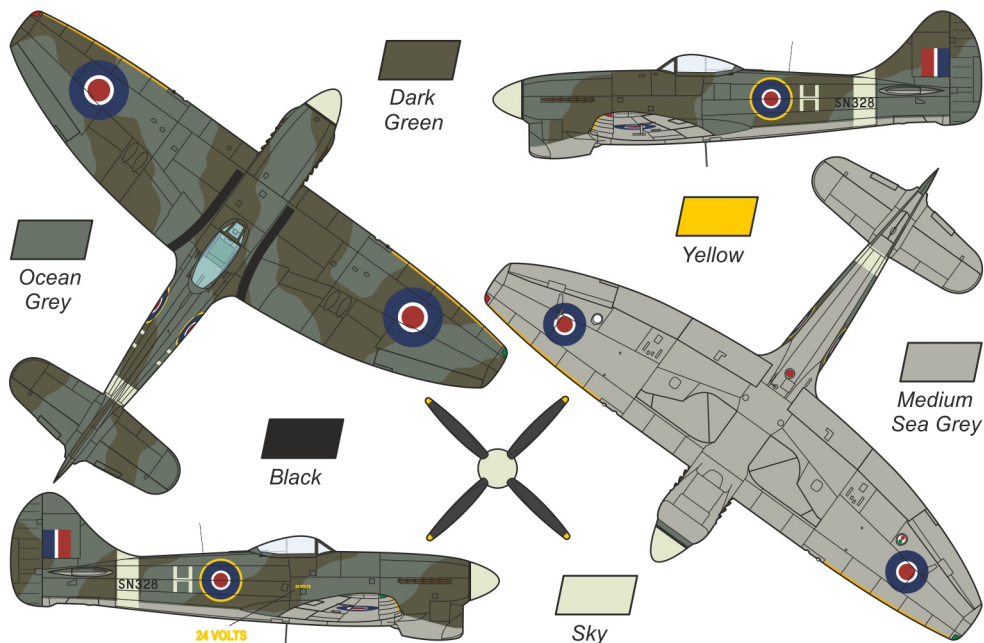
Front view



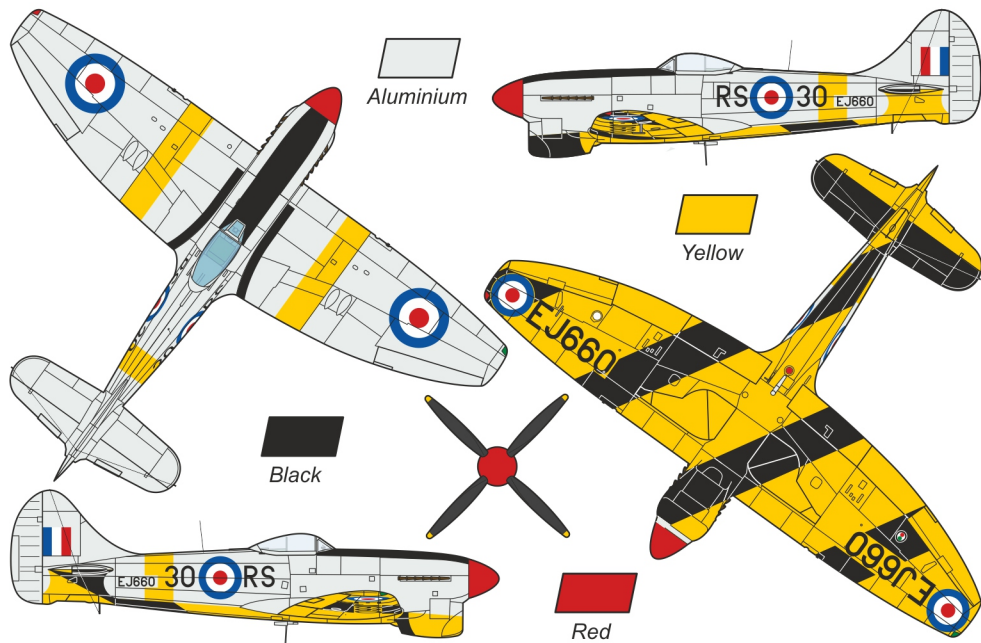
A Hawker Tempest Mk.V (Srs.2), SN254, Sky US-T, No.56 Sq., Royal Air Force, British Air Forces of Occupation (BAFO), Fassberg Air Base (B-152), Germany, November 1945



B Hawker Tempest Mk.V (Srs.2), SN328, Sky H, CFE (Central Fighter Establishment), Royal Air Force, West Raynham airfield, U.K., 1945/46



C Hawker Tempest TT Mk.5, EJ660, Black RS-30, No.229 OCU (Operational Conversion Unit), Royal Air Force, Chivenor Air Base, U.K., 1953-54



D Hawker Tempest TT Mk.5, EJ758, Black B, APS (Armament Practice Station) Sylt, Royal Air Force, Sylt Air Base, Germany, August 1951

