

# Aero L-39V & Letov KT-04

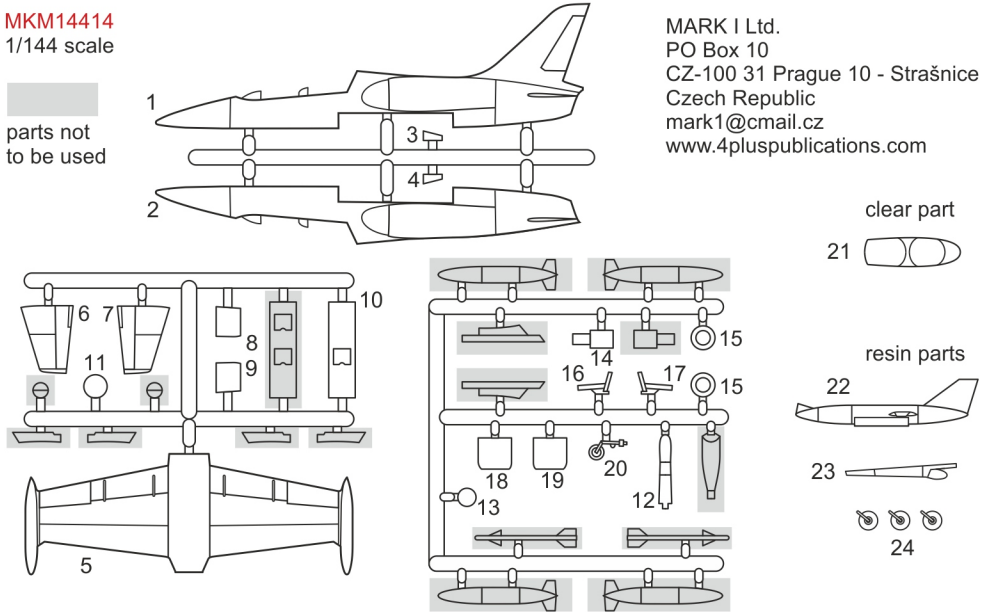
## TARGET-TUG WITH DRONE



MKM14414  
1/144 scale

parts not  
to be used

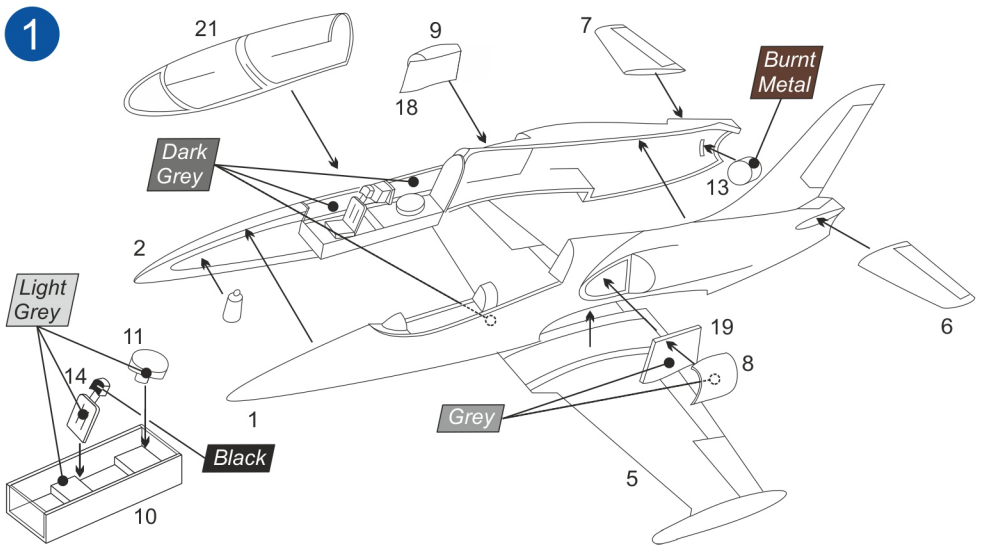
MARK I Ltd.  
PO Box 10  
CZ-100 31 Prague 10 - Strašnice  
Czech Republic  
mark1@gmail.cz  
www.4pluspublications.com



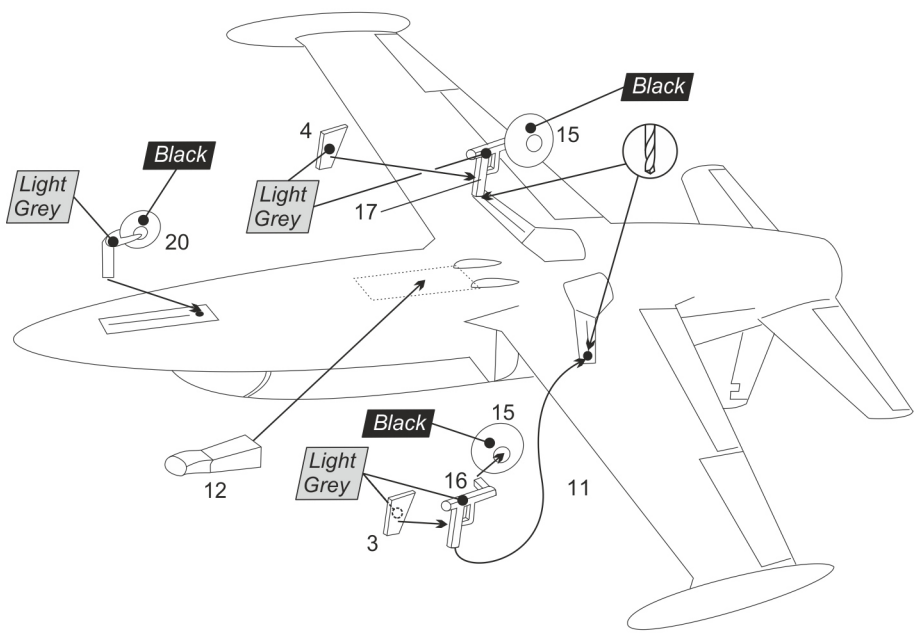
clear part



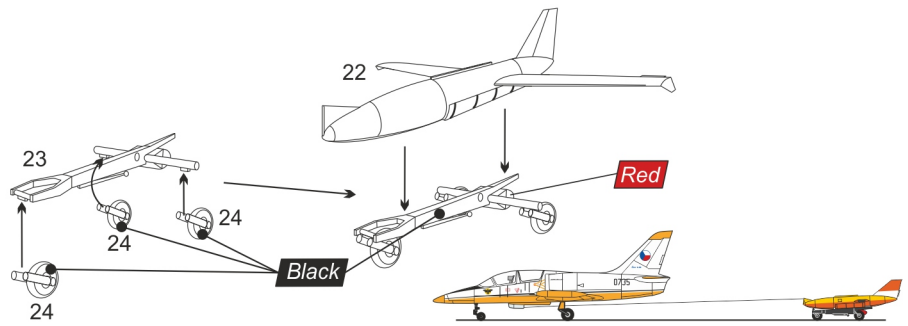
resin parts







2

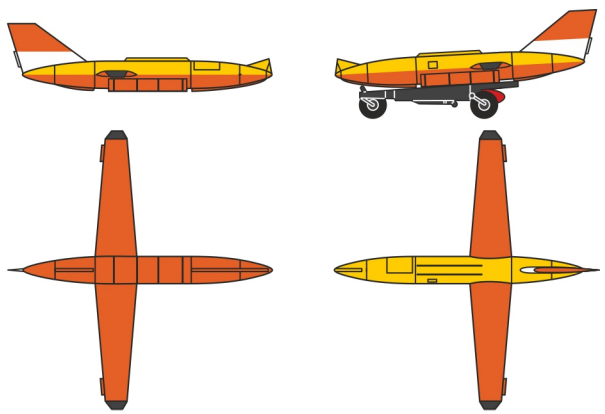


3



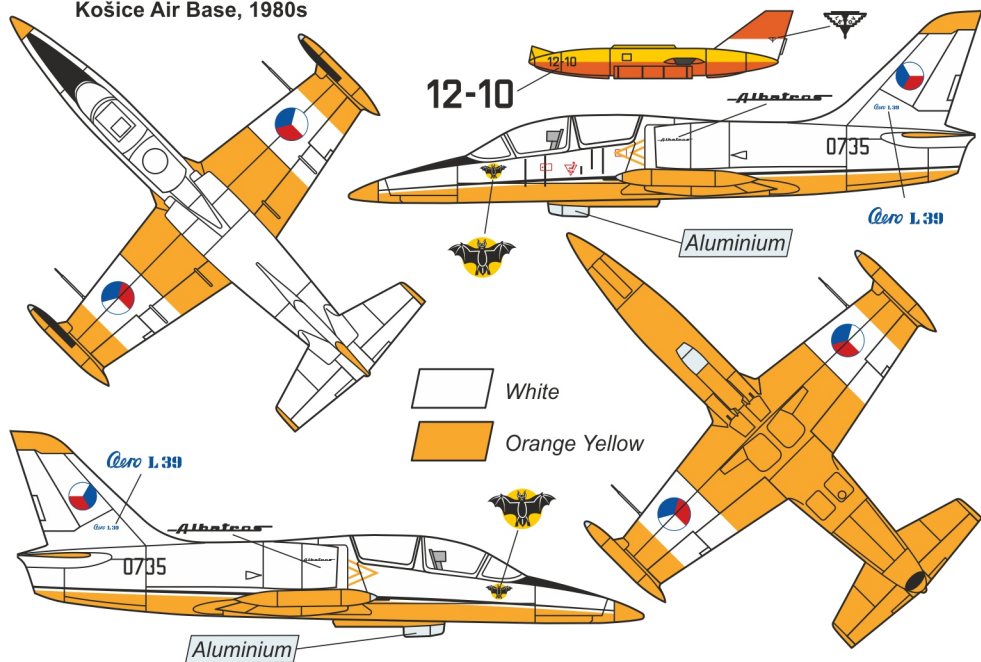
Letov KT-04 colours:

-  White
-  Yellow
-  Orange
-  Black

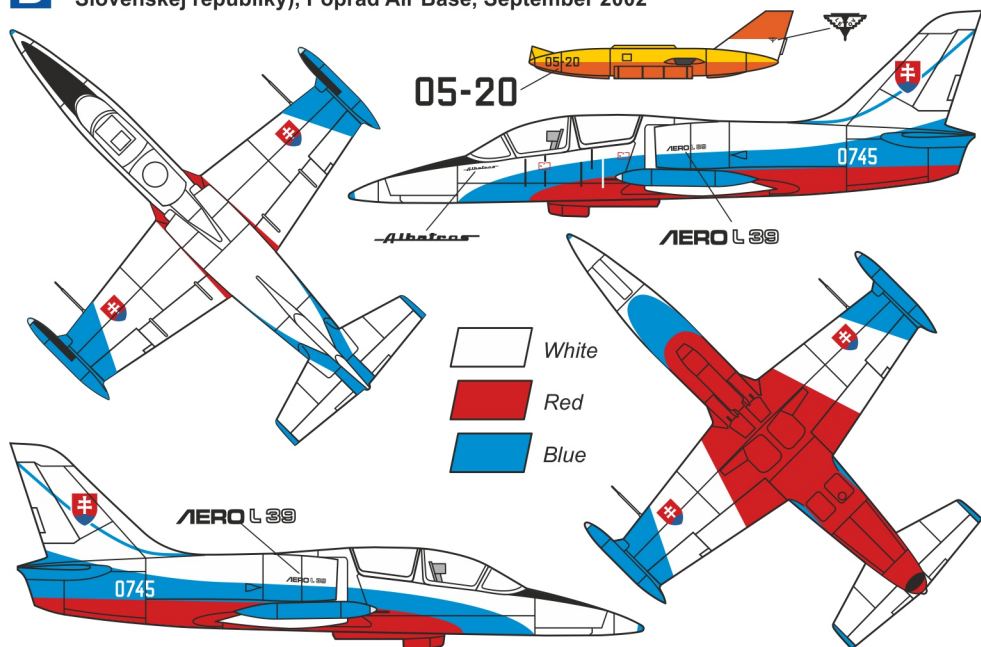


**A**

Aero L-39V, 0735 & Letov KT-04, 12-10, 2nd Training Regiment, VVLŠ SNP Military Air Training Establishment, Czechoslovak Air Force (vojenské letectvo ČSLA), Košice Air Base, 1980s

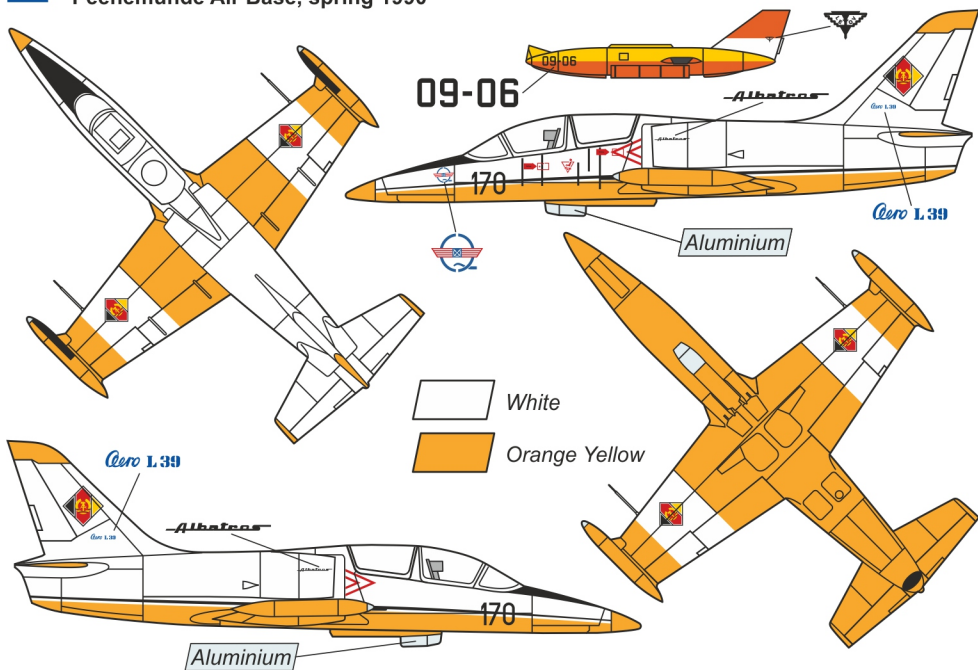
**B**

Aero L-39V, 0745 & Letov KT-04, 05-20, Slovak Air Force (Vzdušné sily ozbrojených síl Slovenskej republiky), Poprad Air Base, September 2002





Aero L-39V, 170 & Letov KT-04, 09-06, ZDK-33, East German Air Force (LSK/LV DDR), Peenemünde Air Base, spring 1990



Aero L-39V, 28 49, German Air Force (Luftwaffe), Rothenburg-Görlitz Airport, July 1991

