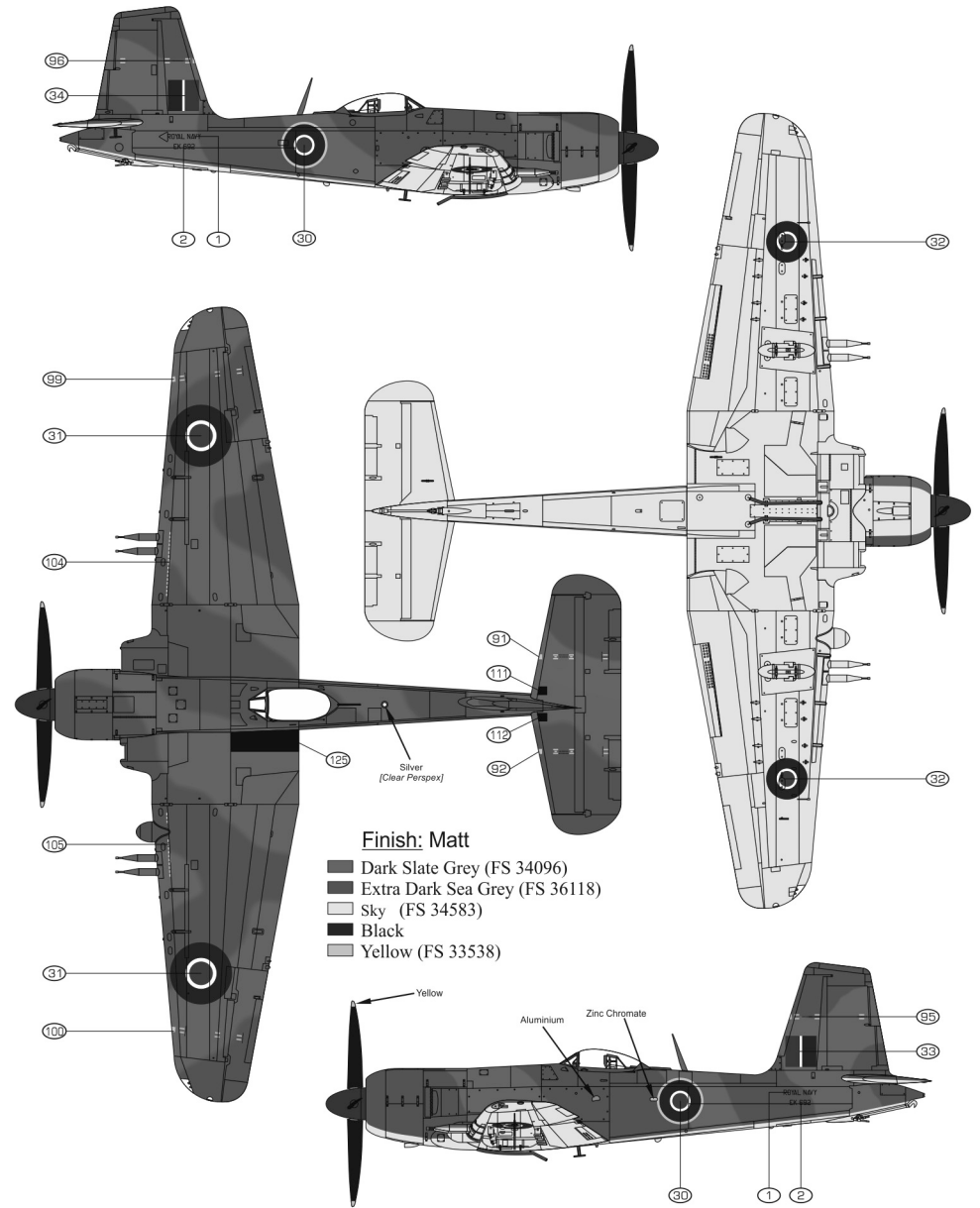


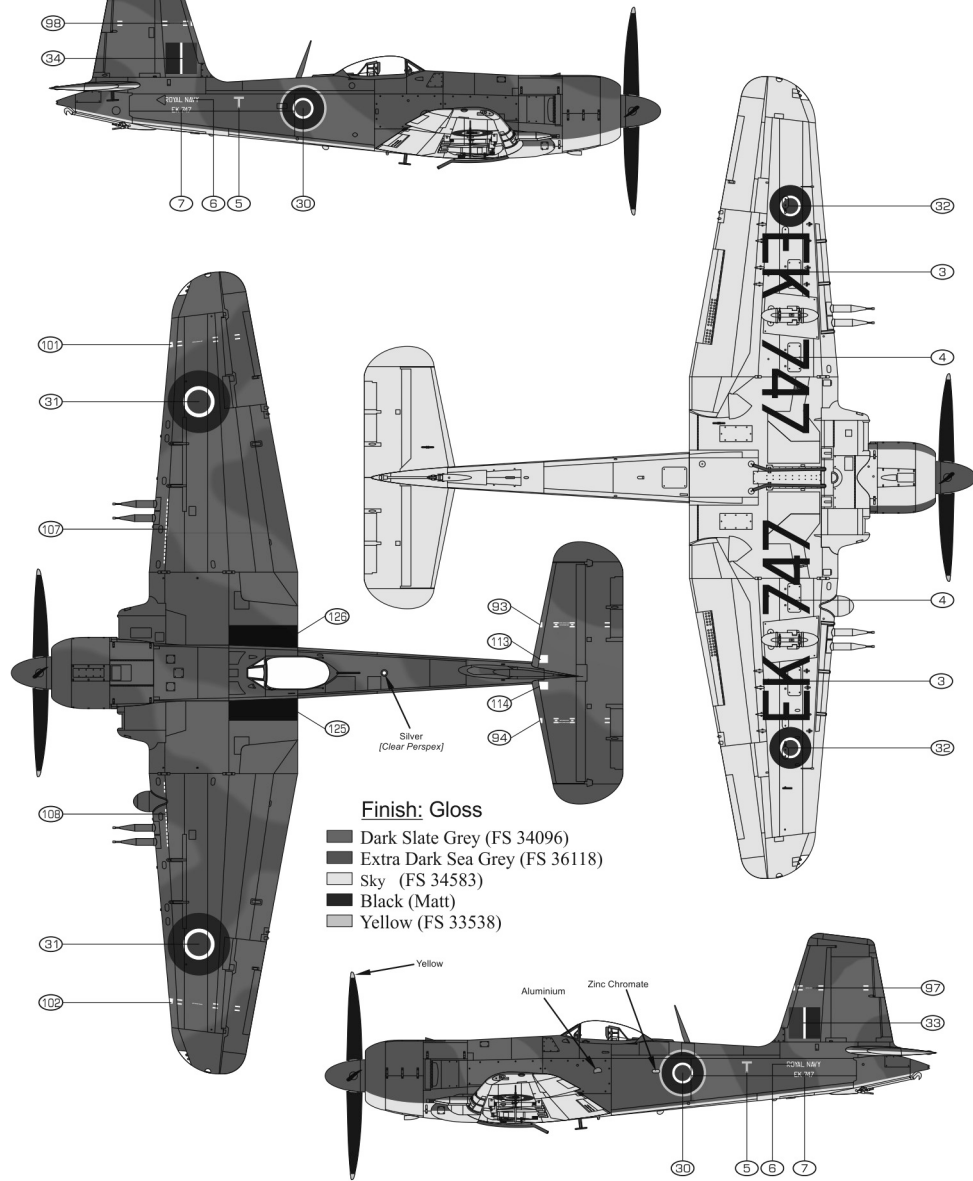
Camouflage scheme

A Camouflage scheme - **Blackburn B.46 Firebrand TF Mk.IV, EK692** (Modified to **Mk.V** specification)
 Royal Aircraft Establishment (RAE) 'Catapult Launching' Trials
 Undertaken on HMS Illustrious, 29 October 1946 to 13 November 1946
 (Ref: Test Note No. Naval Aircraft 176, June 1947)



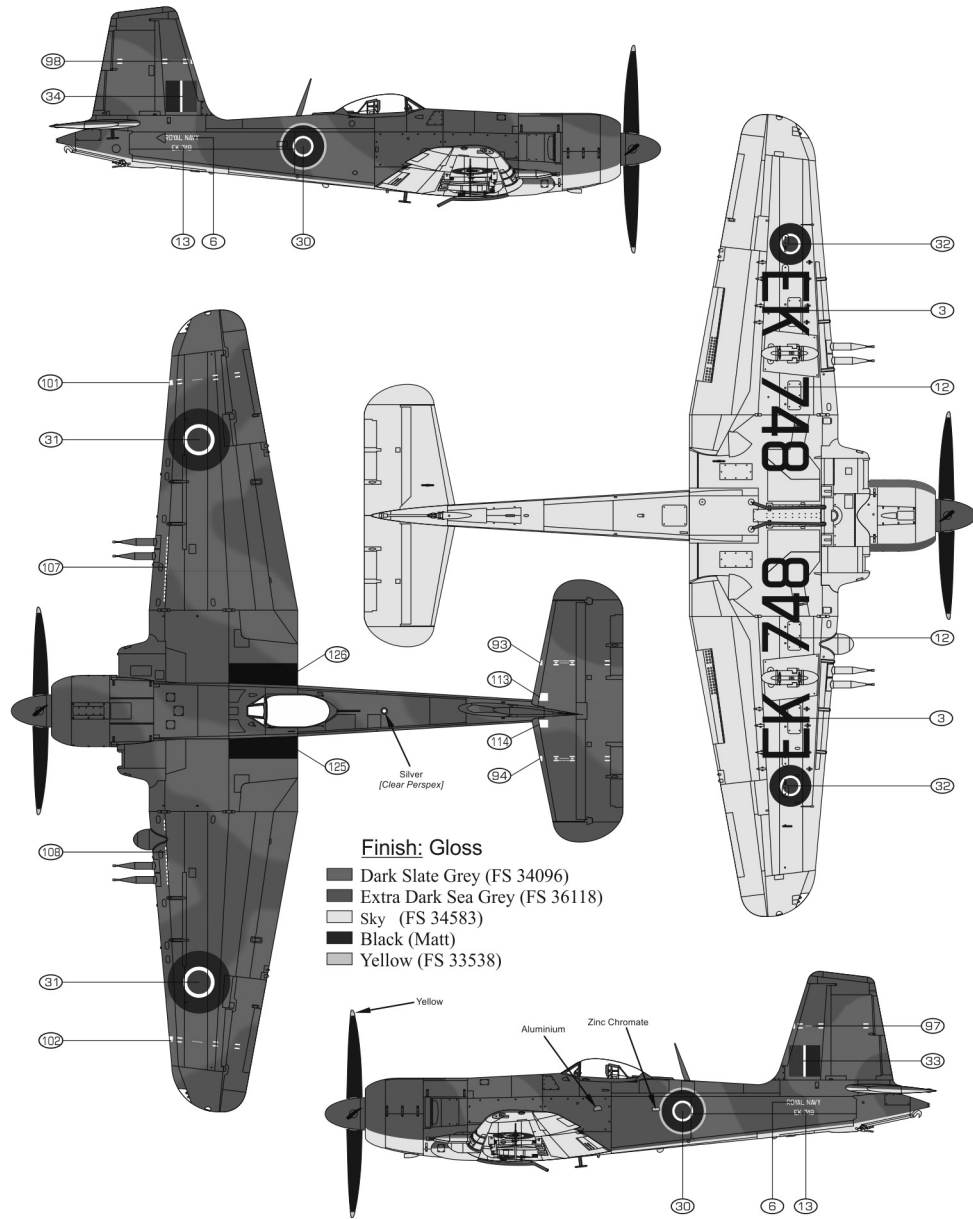
Camouflage scheme

- B** Camouflage scheme - **Blackburn B.46 Firebrand TF Mk.V, EK747-'T'**
 "Firebrand 5 Service Trials"
 Naval Air/Sea Warfare Development Unit & Carrier Trials Unit
 No.703 Naval Air Squadron, RNAS Lee-on-Solent (HMS Daedalus), July 1947
 (Ref: NASWDU Report No.507/48, 15 June 1948)



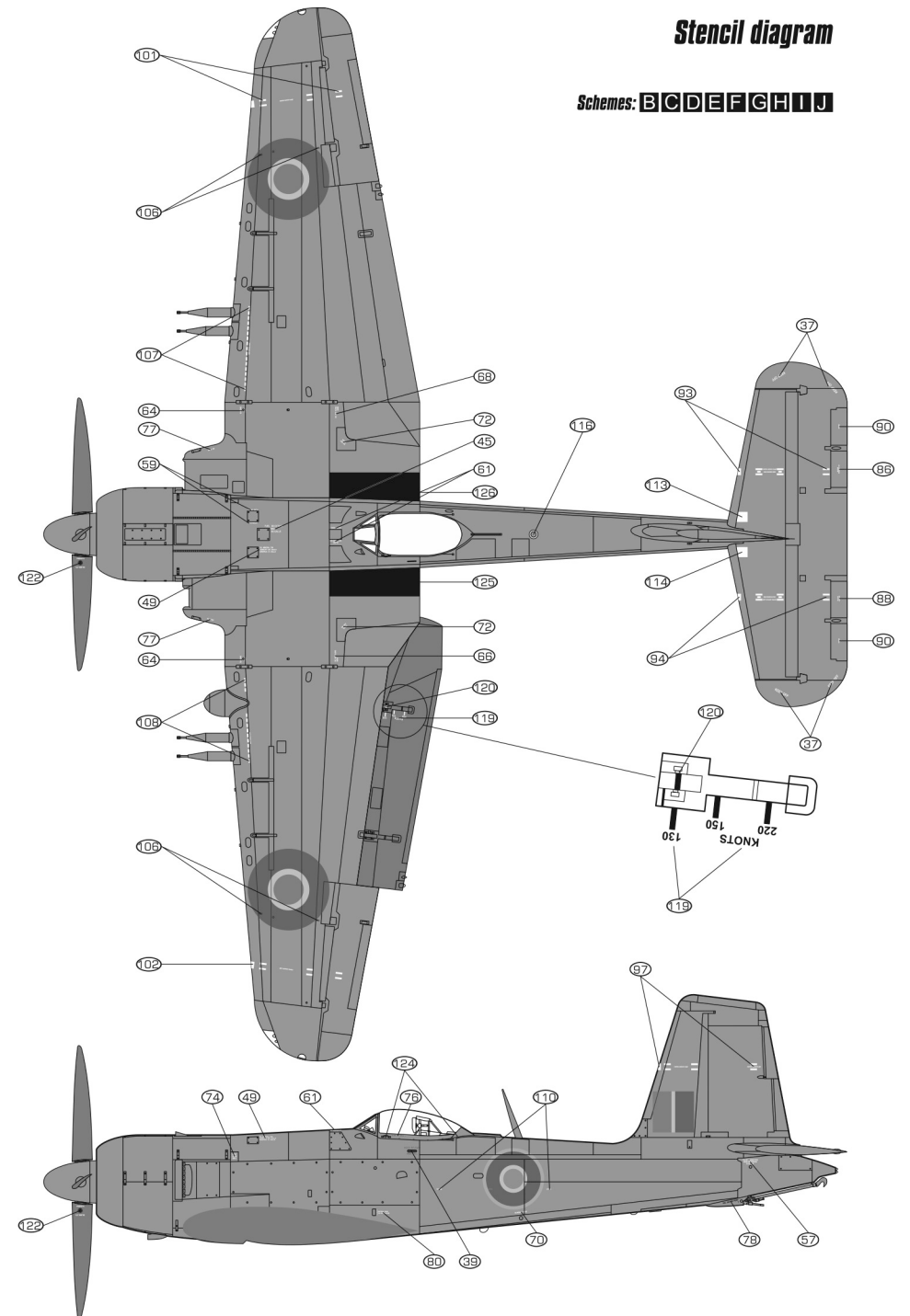
Camouflage scheme

D Camouflage scheme - **Blackburn B.46 Firebrand TF Mk.5, EK748**
 No.703 Naval Air Squadron, Thorney Island, 18 September 1948



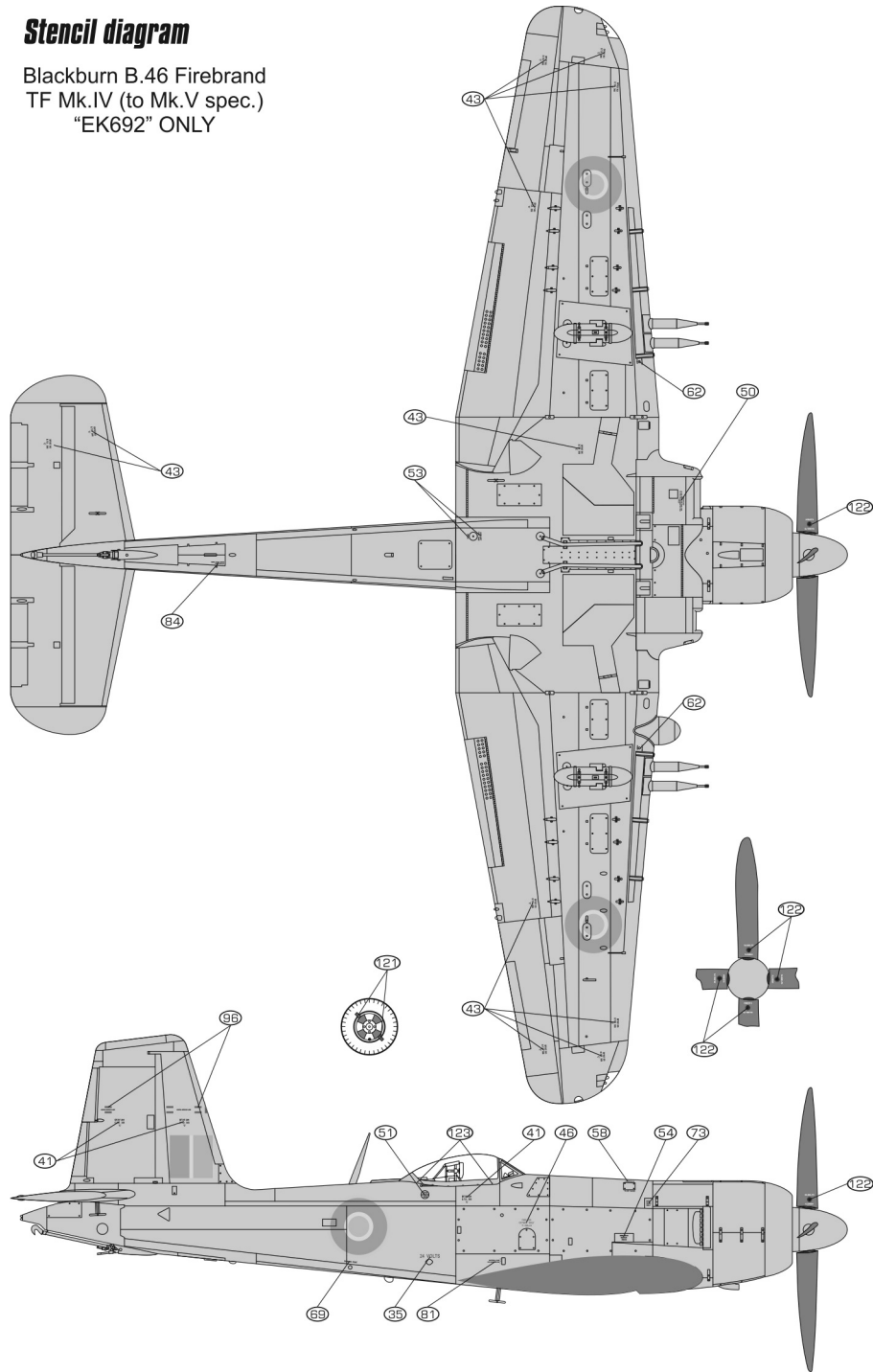
Stencil diagram

Schemes: **B C D E F G H I J**



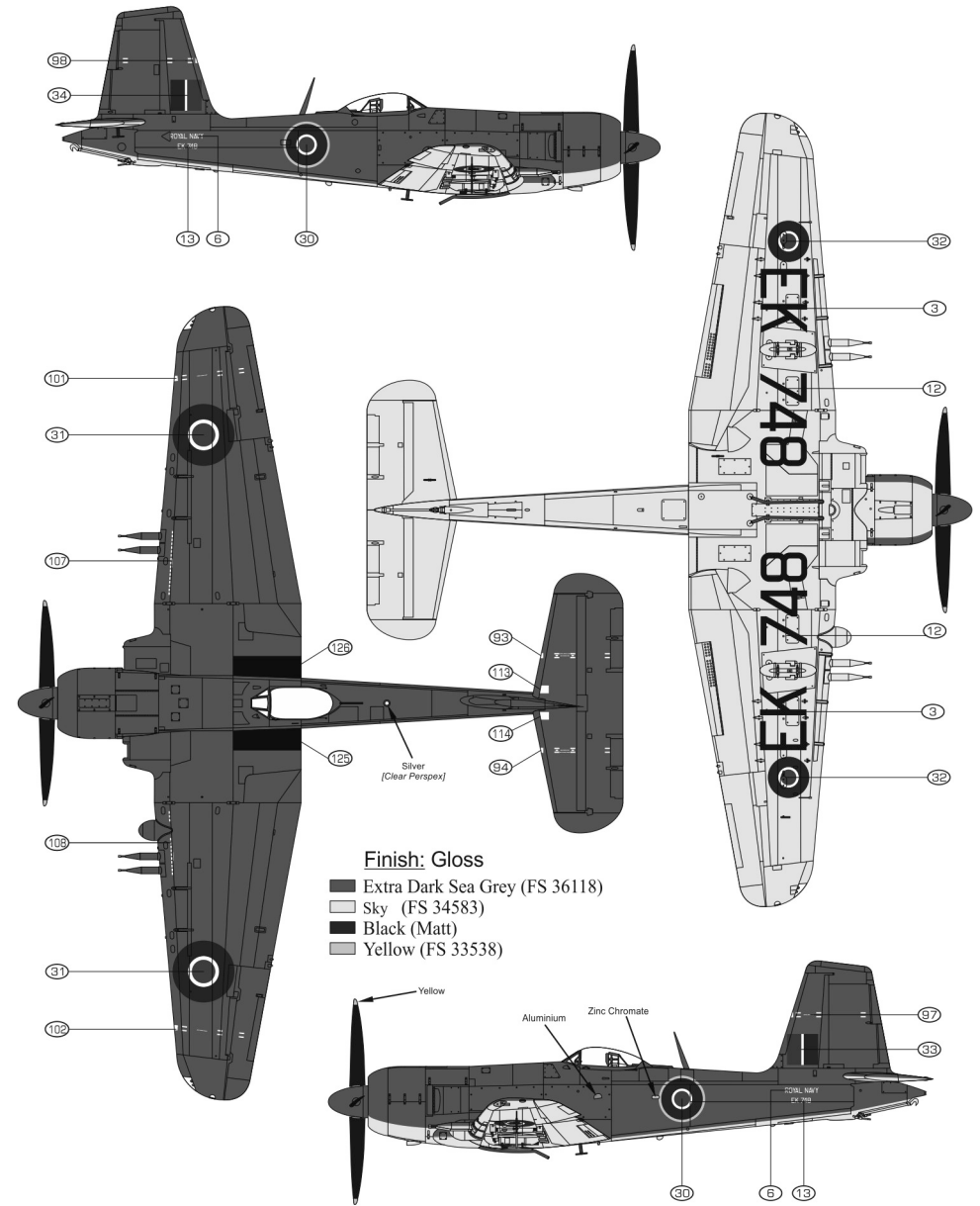
Stencil diagram

Blackburn B.46 Firebrand
TF Mk.IV (to Mk.V spec.)
"EK692" ONLY



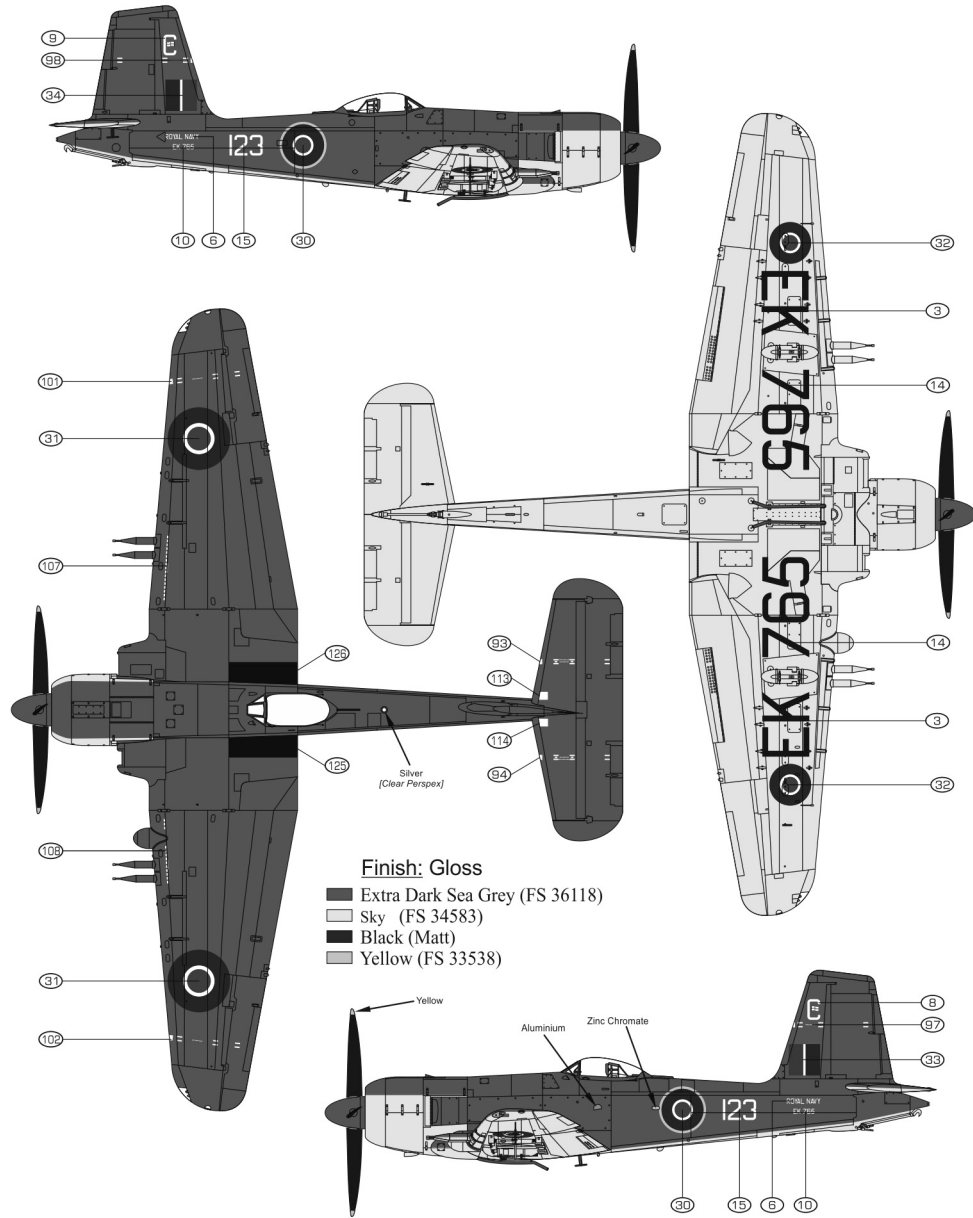
Camouflage scheme

E Camouflage scheme - **Blackburn B.46 Firebrand TF Mk.5, EK748**
No.703 Naval Air Squadron, Thorney Island, December 1948



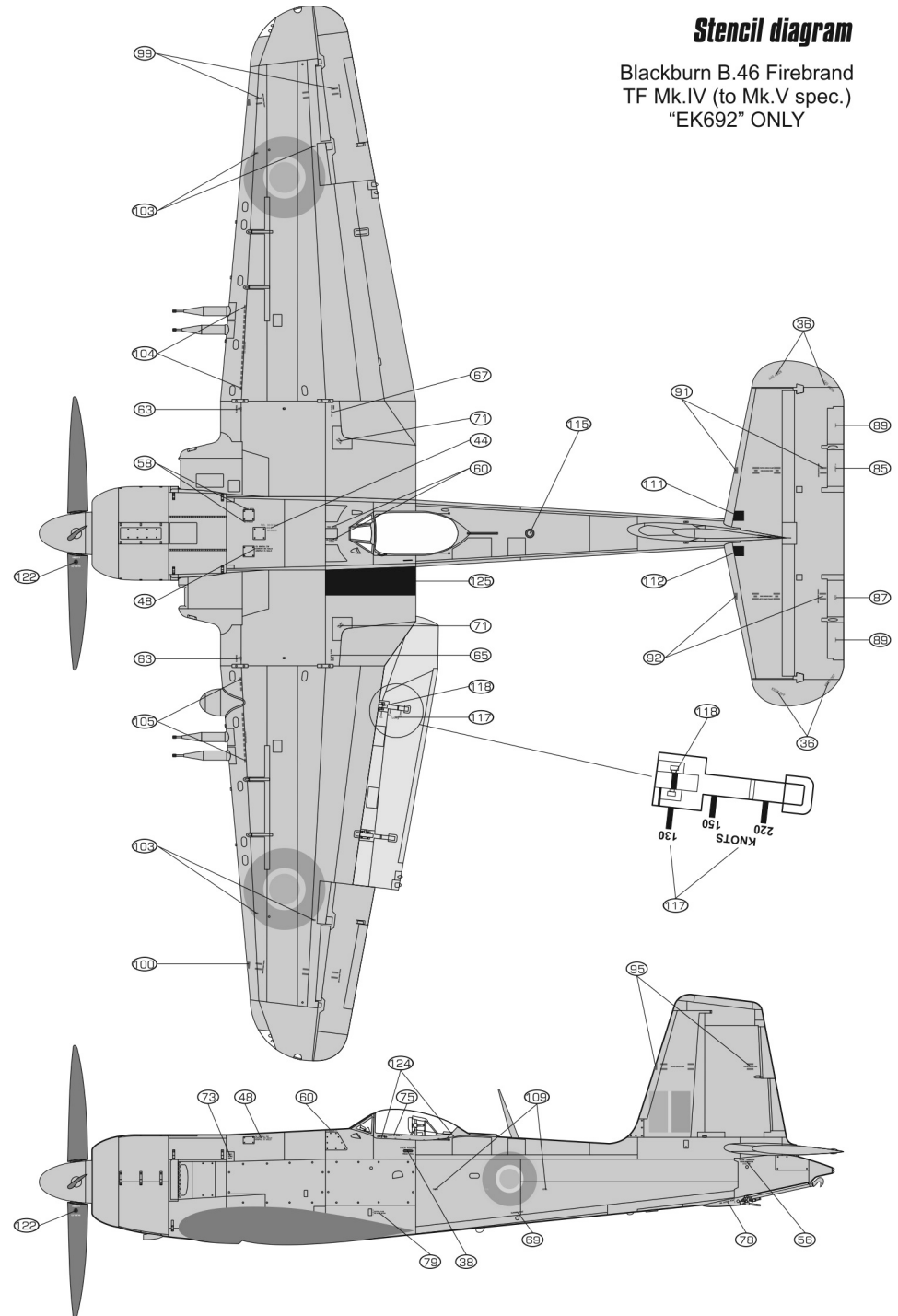
Camouflage scheme

F Camouflage scheme - **Blackburn B.46 Firebrand TF Mk.5, EK765-'123/C'**
 No.813 Naval Air Squadron, HMS Implacable, February 1949
 (The Flagship of the Commander-in-Chief, Home Fleet)



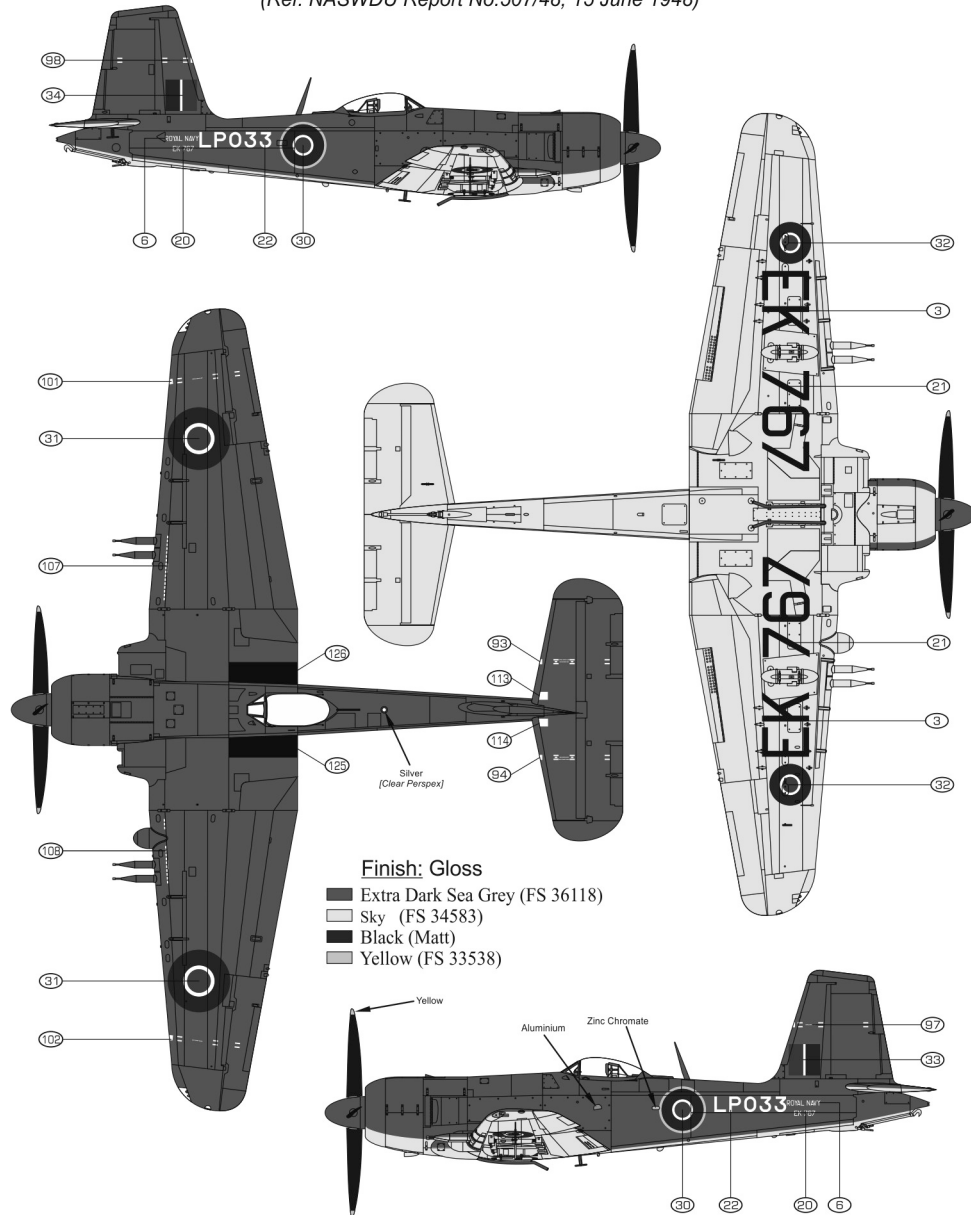
Stencil diagram

Blackburn B.46 Firebrand
 TF Mk.IV (to Mk.V spec.)
 "EK692" ONLY



Camouflage scheme

H Camouflage scheme - **Blackburn B.46 Firebrand TF Mk.V, EK767-'LP033'**
 "Firebrand 5 Service Trials"
 Naval Air/Sea Warfare Development Unit & Carrier Trials Unit
 No.703 Naval Air Squadron, RNAS Lee-on-Solent (HMS Daedalus), August 1947
 (Ref: NASWDU Report No.507/48, 15 June 1948)



Camouflage scheme

I Camouflage scheme - **Blackburn B.46 Firebrand TF Mk.5, EK773-'183/CW'**
 No.738 Naval Air Squadron, Naval Air Fighter School,
 RNAS Culdrose (HMS Seahawk)
 At RAF North Front, Gibraltar, July 1950

